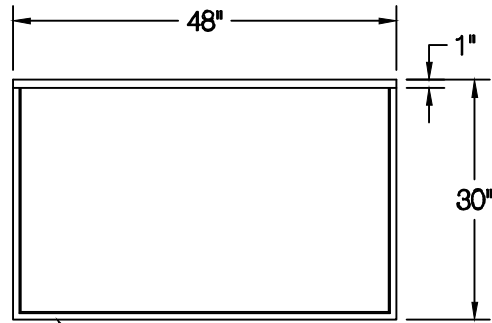
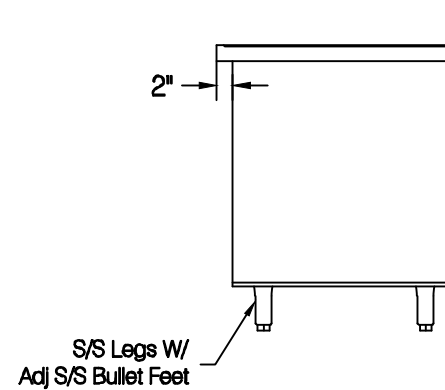
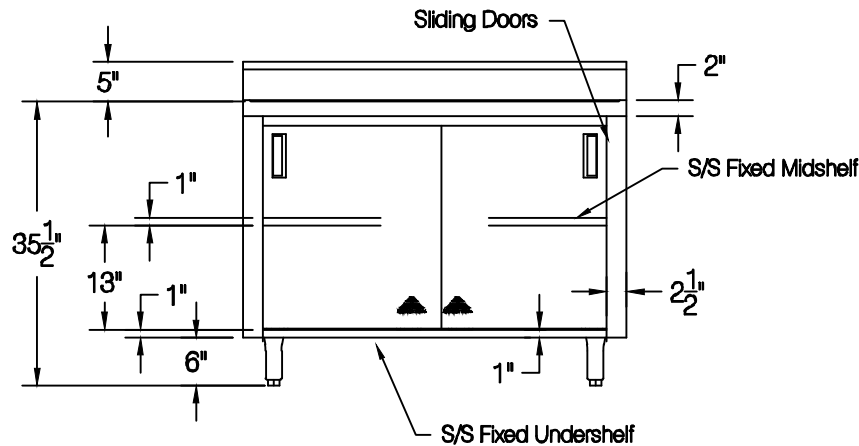


Quantity:



TA-12  
Countertop Edge




**ADVANCE TABCO**  
325 Wireless Blvd.  
Hauppauge, NY 11788  
Tel: 800-645-3166  
Fax: 631-242-4589  
cad@advancetabco.com

Customer:	Order / Quote# <b>4204</b>	Sheet #	Original Drawing Date: 10/5/2023	NO.	Revision Date:	By:	Print Approval:	
Job Name:	Model # CK-SS-304M / TA-12	Item #	Material: 14 GA. 304S/S	1			Accessory Locations MUST Be Verified Prior To Unit Being Fabricated	
Purchase Order # :	Drawn By: E. Mencarelli	Scale: 1/2" = 12"	Tolerance: +.500 -.500	2				
FACTORY USE ONLY:	WELDING: 1) Date: _____ Inspected By: _____ 2) Date: _____ Inspected By: _____	Final Inspection: 1) Date: _____ Inspected By: _____ 2) Date: _____ Inspected By: _____	NSF	3				Approved By _____ Date _____
				4				
				5				
							Approved By _____ Date _____	