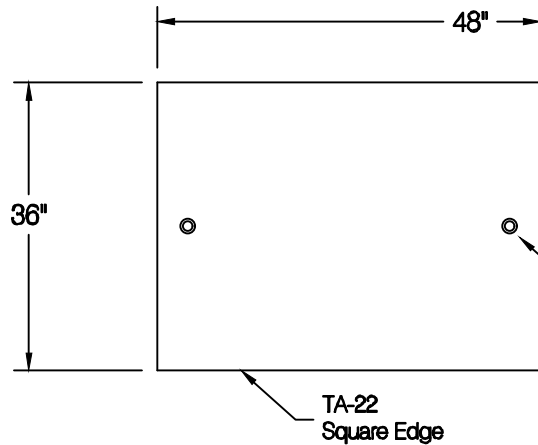
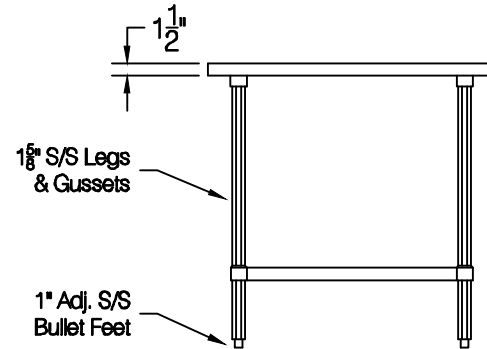
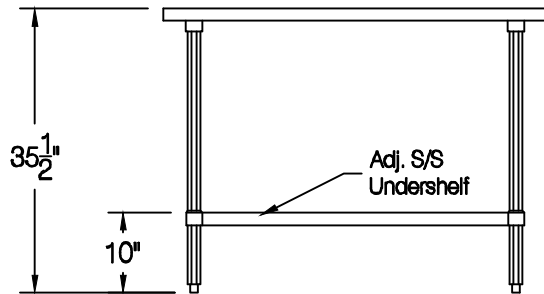


Quantity:

NOTE:
TABLE IS PREPARED FOR MID MOUNT (TA-228) OVER SHELF / POT RACK
INSTALLATION. OVER SHELF / POT RACK IS NOT INCLUDE WITH THIS
TABLE. OVERSHLF / POT RACK MUST BE ORDER SEPARATELY



TA-228
HOLES IN TABLE TOP TO ACCEPT 1 5/8" Dia
POST TUBING (SEE NOTE ABOVE)



ADVANCE TABCO
325 Wireless Blvd.
Hauppauge, NY 11788
Tel: 800-645-3166
Fax: 631-242-4589
cad@advancetabco.com

Customer:	Order / Quote # 4198	Sheet #	Original Drawing Date: 10/5/2023	NO.	Revision Date:	By:	Print Approval:
Job Name:	Model # SS-304 / TA-228	Item #	Material: 14 GA. 304S/S	1			Accessory Locations MUST Be Verified Prior To Unit Being Fabricated
Purchase Order # :	Drawn By: E. Mencarelli	Scale: 1/2" = 12"	Tolerance: +.500 -.500	2			
FACTORY USE ONLY:	WELDING:	Final Inspection:		3			Approved By _____ Date _____
1) Date: _____ Inspected By: _____	2) Date: _____ Inspected By: _____	1) Date: _____ Inspected By: _____ 2) Date: _____ Inspected By: _____		4			Approved By _____ Date _____
				5			

