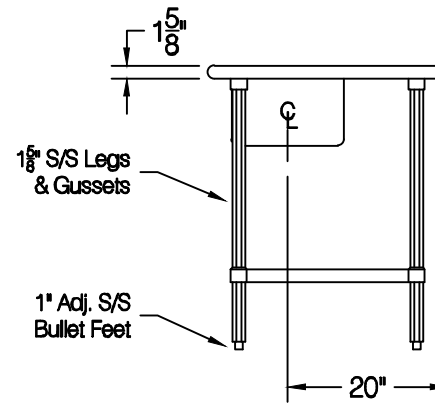
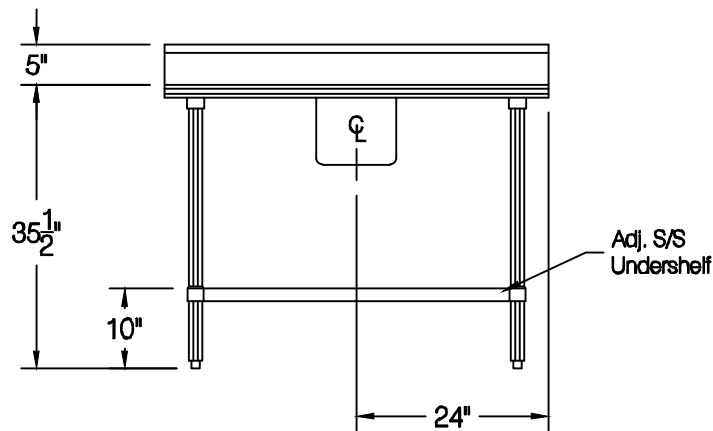
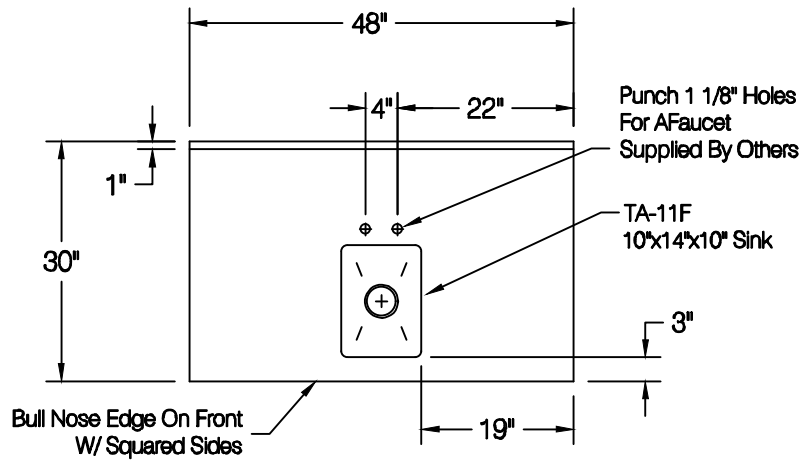



Quantity:



<b>Customer:</b> <b>Job Name:</b> <b>Purchase Order # :</b> <b>FACTORY USE ONLY:</b>	<b>Order / Quote#</b> <b>4195</b>	<b>Sheet #</b>	<b>Original Drawing Date:</b>	<b>NO.</b> 1	<b>Revision Date:</b>	<b>By:</b>	<b>Print Approval:</b>	
	<b>Model #</b> <b>KMS-304 / TA-11F</b>	<b>Item #</b>	<b>Material:</b> <b>16 GA. 304S/S</b>	2			<b>Accessory Locations MUST Be Verified Prior To Unit Being Fabricated</b>	
	<b>Drawn By:</b> <b>E. Mencarelli</b>	<b>Scale:</b> <b>1/2" = 12"</b>	<b>Tolerance:</b> <b>+ .500</b> <b>- .500</b>	3				
	<b>WELDING:</b> 1) Date: _____ Inspected By: _____ 2) Date: _____ Inspected By: _____	<b>Final Inspection:</b> 1) Date: _____ Inspected By: _____ 2) Date: _____ Inspected By: _____			4			<b>Approved By</b> _____ <b>Date</b> _____
					5			<b>Approved By</b> _____ <b>Date</b> _____