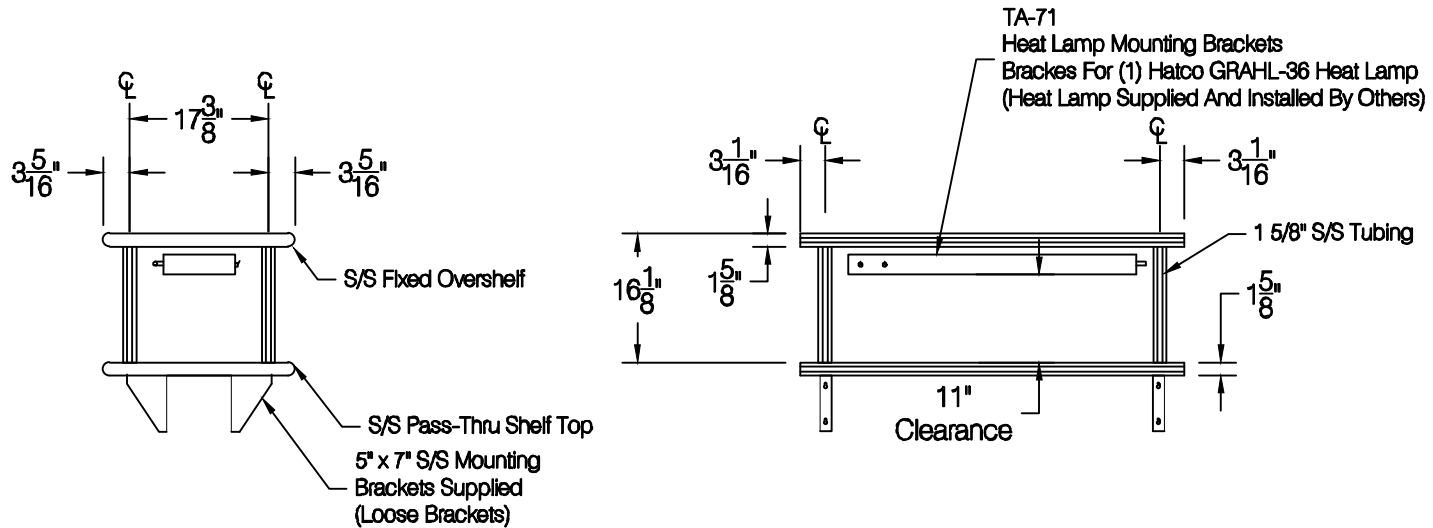
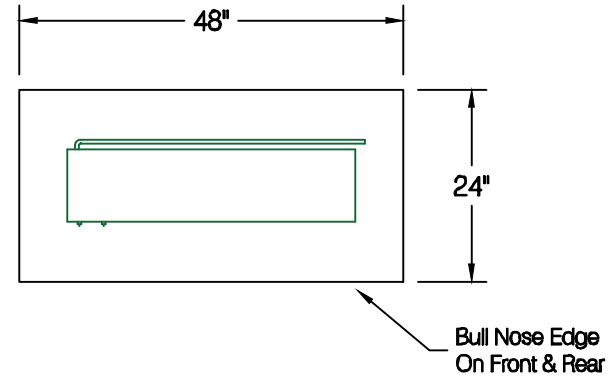


Quantity:



ADVANCE TABCO
 325 Wireless Blvd.
 Hauppauge, NY 11788
 Tel: 800-645-3166
 Fax: 631-242-4589
 cad@advancetabco.com

Customer:	Order / Quote #	Sheet #		Original Drawing Date:	NO.	Revision Date:	By:	Print Approval:		
	4191			10/5/2023	1				Accessory Locations MUST Be Verified Prior To Unit Being Fabricated	
Job Name:	Model #	Item #	Material:		2					
	PA-24-48 / TA-99 / TA-71		16 GA. 304 S/S		3					
Purchase Order # :	Drawn By:	Scale:	Tolerance:	NSF	4			Approved By		Date
	E. Mencarelli	1/2" = 12"	+ .500 - .500		5					
FACTORY USE ONLY:	WELDING:		Final Inspection:							
	1) Date: _____ Inspected By: _____ 2) Date: _____ Inspected By: _____		1) Date: _____ Inspected By: _____ 2) Date: _____ Inspected By: _____							
								Approved By	Date	