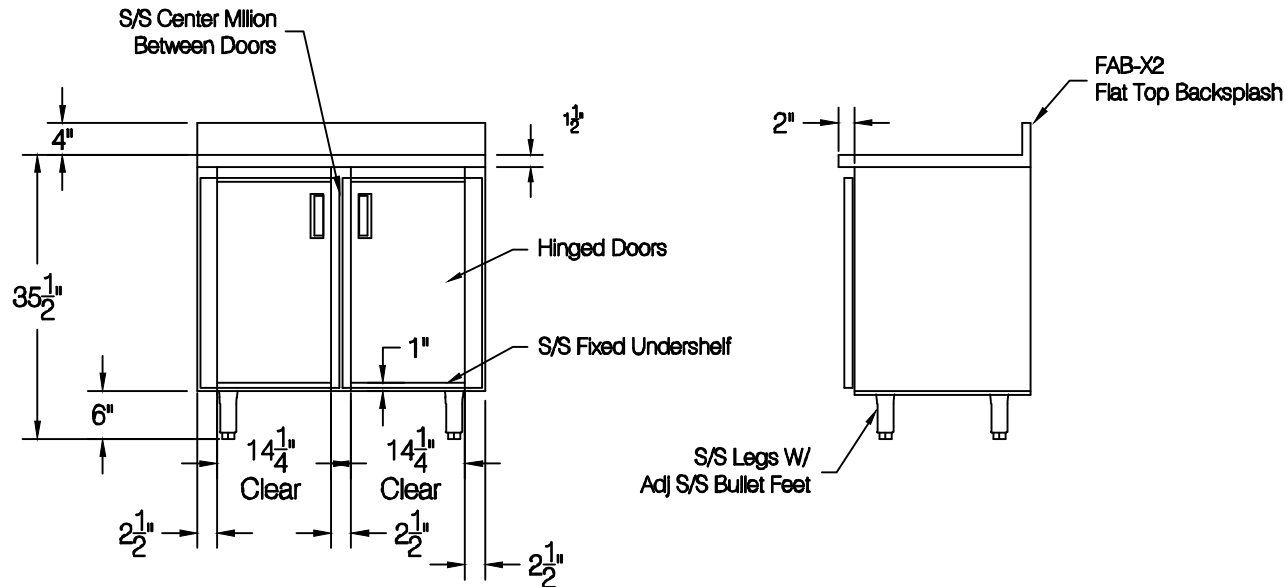
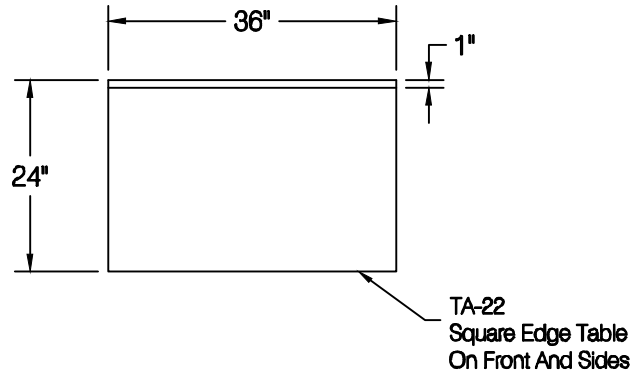


Quantity:



Customer:	Order / Quote #	4190	Sheet #	Original Drawing Date:	NO.	Revision Date:	By:	Print Approval:	
	Job Name:	Model #	Item #	Material:	1			Accessory Locations MUST Be Verified Prior To Unit Being Fabricated	
	Purchase Order # :	HK-SS-243 / TA-22 / TA-61		14 GA. 304 S/S	2				
	FACTORY USE ONLY:	WELDING:	Drawn By:	Scale:	Tolerance:	3			Approved By _____ Date _____
		1) Date: _____ Inspected By: _____	E. Mencarelli	1/2" = 12"	+ .500	4			
2) Date: _____ Inspected By: _____				- .500	5			Approved By _____ Date _____	
	Final Inspection:	1) Date: _____ Inspected By: _____		2) Date: _____ Inspected By: _____					

