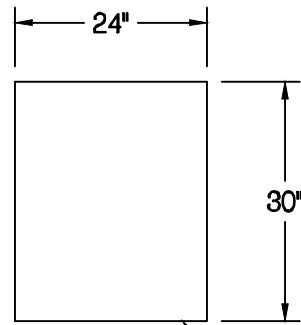
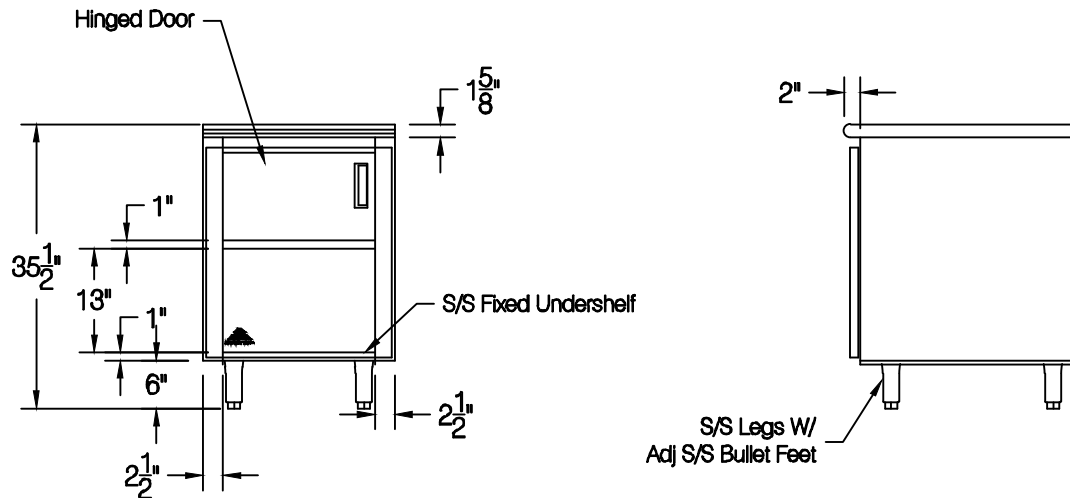


Quantity:



Bull Nose Edge  
On Front w/ Square Sides



Hinged Door

S/S Fixed Undershelf

S/S Legs W/  
Adj S/S Bullet Feet

**ADVANCE TABCO**  
325 Wireless Blvd.  
Hauppauge, NY 11788  
Tel: 800-645-3166  
Fax: 631-242-4589  
cad@advancetabco.com

Customer:	Order / Quote# <b>4183</b>	Sheet #	Original Drawing Date: 10/5/2023	NO.	Revision Date:	By:	Print Approval:
Job Name:	Model # HB-SS-302M	Item #	Material: 14 GA. 304 S/S	1			Accessory Locations MUST Be Verified Prior To Unit Being Fabricated
Purchase Order # :	Drawn By: E. Mencarelli	Scale: 1/2" = 12"	Tolerance: +.500 -.500	2			
<b>FACTORY USE ONLY:</b>	WELDING: 1) Date: _____ Inspected By: _____ 2) Date: _____ Inspected By: _____	Final Inspection: 1) Date: _____ Inspected By: _____ 2) Date: _____ Inspected By: _____		3			Approved By _____ Date _____
				4			Approved By _____ Date _____
				5			Approved By _____ Date _____