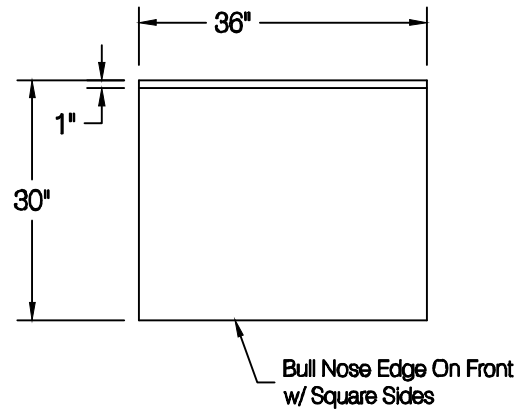
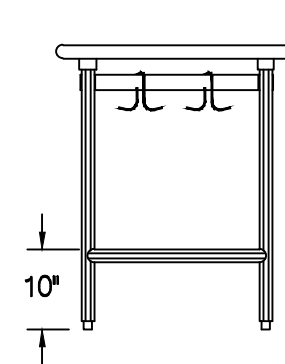
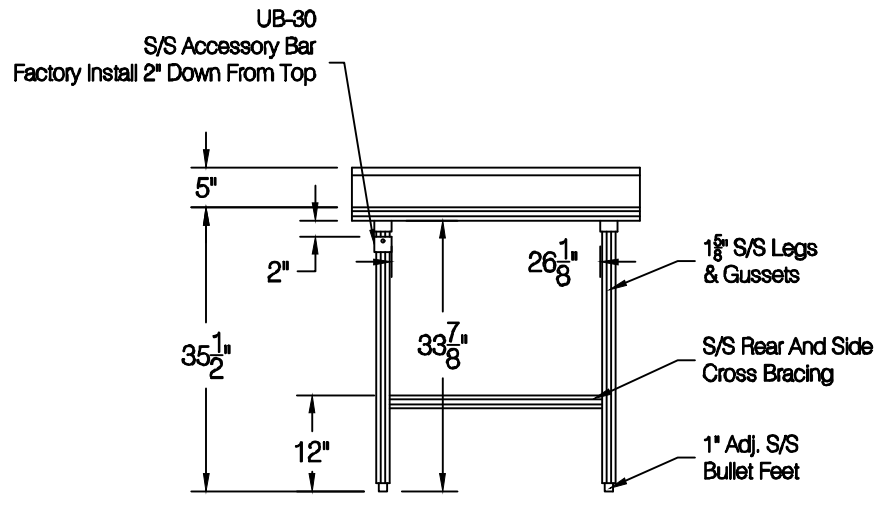


Quantity:



NOTE:  
TA-23  
Welded & Crated Set Up  
(Not Legs To Gussets)



**ADVANCE TABCO**  
325 Wireless Blvd.  
Hauppauge, NY 11788  
Tel: 800-645-3166  
Fax: 631-242-4589  
cad@advancetabco.com

Customer:	Order / Quote #	4179	Sheet #	Original Drawing Date:	NO.	Revision Date:	By:	Print Approval:		
	Job Name:	Model #	Item #	Material:	1				Accessory Locations MUST Be Verified Prior To Unit Being Fabricated	
	Purchase Order # :	TKSS-303 / TA-23 / UB-30		14 GA. 430 S/S	2					
	FACTORY USE ONLY:	Drawn By:	Scale:	Tolerance:	3					Approved By _____ Date _____
	WELDING:	E. Mencarelli	1/2" = 12"	+ .500 - .500	4					
	Final Inspection:			5			Approved By _____ Date _____			
	1) Date: _____ Inspected By: _____	2) Date: _____ Inspected By: _____	1) Date: _____ Inspected By: _____	2) Date: _____ Inspected By: _____						

