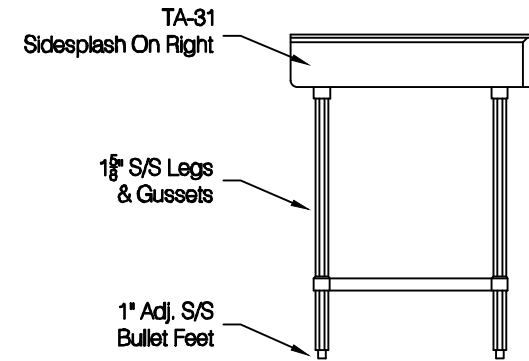
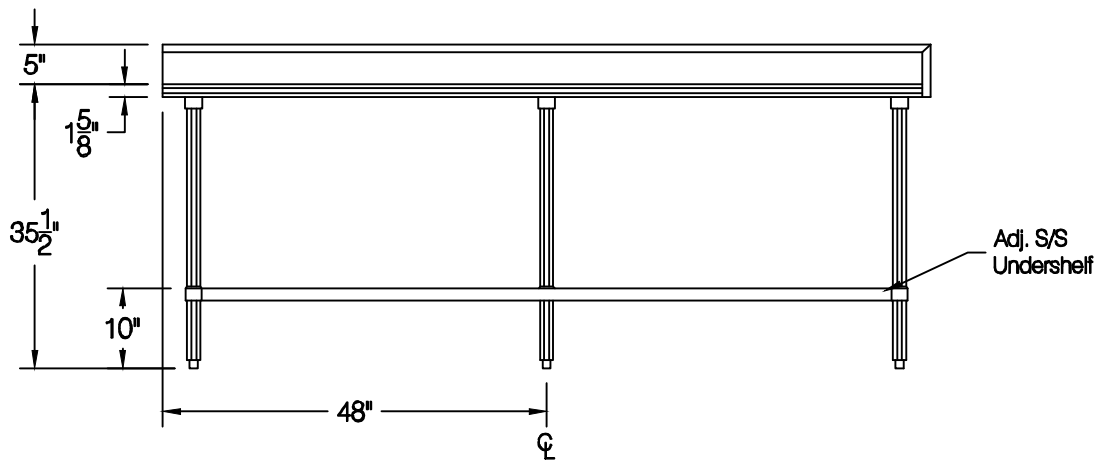
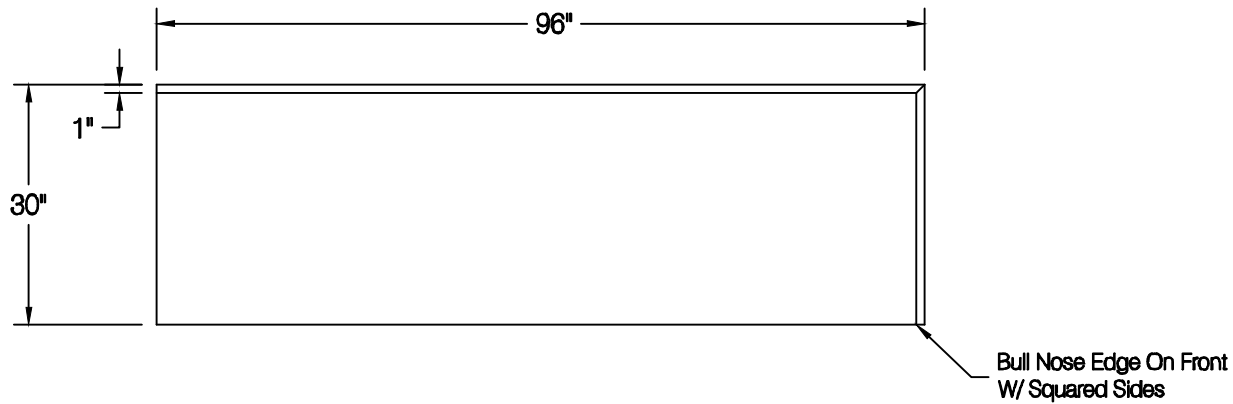


Quantity:



ADVANCE TABCO
325 Wireless Blvd.
Hauppauge, NY 11788
Tel: 800-645-3166
Fax: 631-242-4589
cad@advancetabco.com

Customer:	Order / Quote #	4170	Sheet #	Original Drawing Date:	NO.	Revision Date:	By:	Print Approval:			
	Job Name:	Model #	Item #	Material:	1				Accessory Locations MUST Be Verified Prior To Unit Being Fabricated		
	Purchase Order # :	Drawn By:	Scale:	Tolerance:	2						
	FACTORY USE ONLY:	WELDING:	Final Inspection:	1 1/2" = 12"	+ .500	3					Approved By _____ Date _____
	1) Date: _____ Inspected By: _____	2) Date: _____ Inspected By: _____	1) Date: _____ Inspected By: _____	2) Date: _____ Inspected By: _____	NSF	4					
				-.500	5			Approved By _____ Date _____			