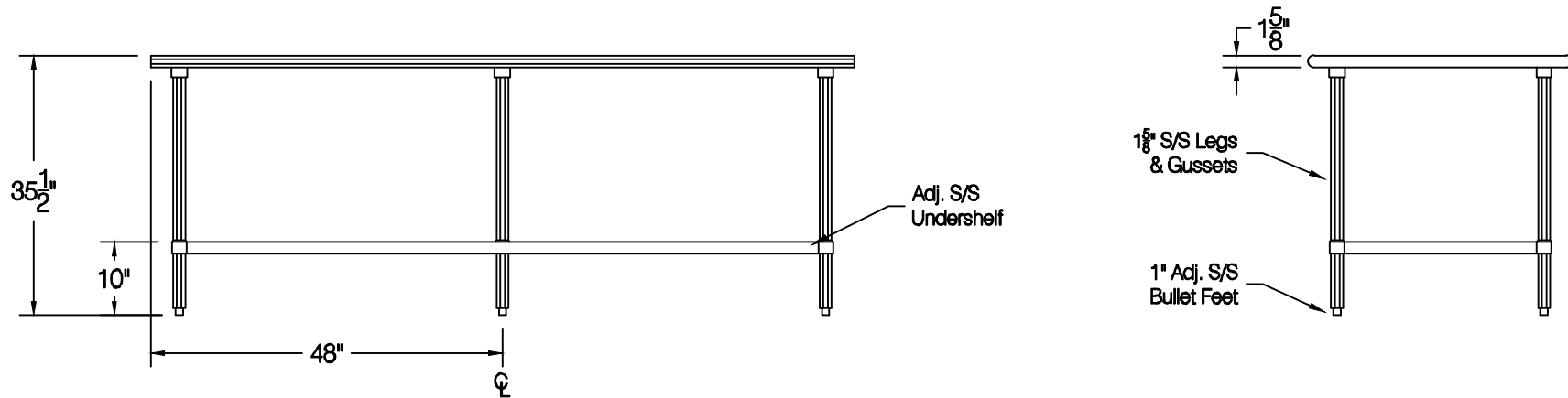
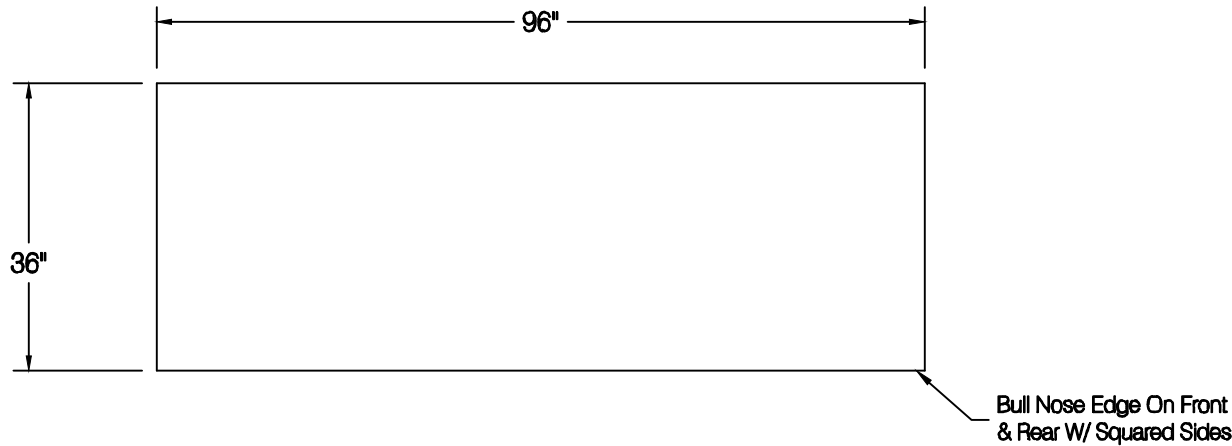


Quantity:

NOTE:
 TABLE IS PREPARED TO ACCEPT (4) 15x20" DRAWERS
 (DRAWERS NOT INCLUDED AND CAN BE PURCHASED SEPARATELY)



ADVANCE TABCO 325 Wireless Blvd. Hauppauge, NY 11788 Tel: 800-645-3166 Fax: 631-242-4589 cad@advancetabco.com	Customer:	Order / Quote # 4169	Sheet #	Original Drawing Date:	NO.	Revision Date:	By:	Print Approval:	
	Job Name:	Model # SS-368	Item #	Material: 14 GA. 304 S/S	1			Accessory Locations MUST Be Verified Prior To Unit Being Fabricated	
	Purchase Order # :	Drawn By: E. Mencarelli	Scale: 1/2" = 12"	Tolerance: + .500 - .500	2				
	FACTORY USE ONLY:	WELDING: 1) Date: _____ Inspected By: _____ 2) Date: _____ Inspected By: _____	Final Inspection: 1) Date: _____ Inspected By: _____ 2) Date: _____ Inspected By: _____	NSF		3			Approved By _____ Date _____
						4			Approved By _____ Date _____
					5			Approved By _____ Date _____	