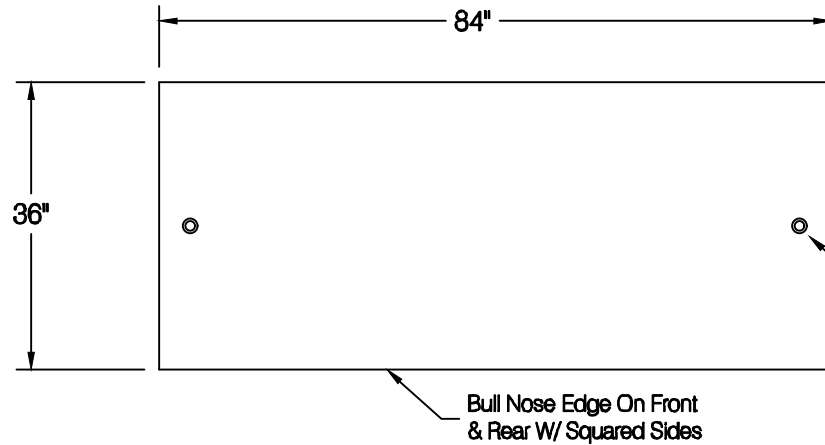


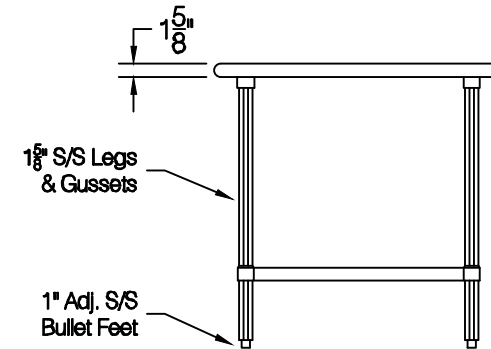
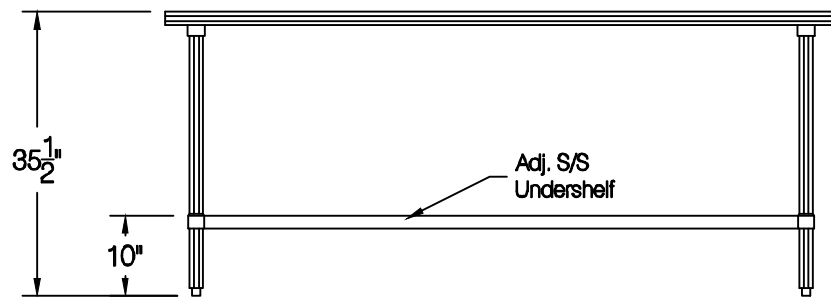
Quantity:

NOTE:
TABLE IS PREPARED FOR MID MOUNT (TA-228) OVER SHELF / POT RACK
INSTALLATION. OVER SHELF / POT RACK IS NOT INCLUDE WITH THIS
TABLE. OVER SHLF / POT RACK MUST BE ORDER SEPARATELY



TA-228
HOLES IN TABLE TOP TO ACCEPT 1 ⁵/₈" Dia
POST TUBING (SEE NOTE ABOVE)

Bull Nose Edge On Front
& Rear W/ Squared Sides



ADVANCE TABCO
325 Wireless Blvd.
Hauppauge, NY 11788
Tel: 800-645-3166
Fax: 631-242-4589
cad@advancetabco.com

Customer:	Order / Quote # 4164	Sheet #	Original Drawing Date: 10/5/2023	NO.	Revision Date:	By:	Print Approval:	
Job Name:	Model # MS-367 / TA-228	Item #	Material: 16 GA. 304 S/S	1			Accessory Locations MUST Be Verified Prior To Unit Being Fabricated	
Purchase Order # :	Drawn By: E. Mencarelli	Scale: 1/2" = 12"	Tolerance: +.500 -.500	2				
FACTORY USE ONLY:	WELDING: 1) Date: _____ Inspected By: _____ 2) Date: _____ Inspected By: _____	Final Inspection: 1) Date: _____ Inspected By: _____ 2) Date: _____ Inspected By: _____	NSF	3				Approved By _____ Date _____
				4				
				5				
							Approved By _____ Date _____	