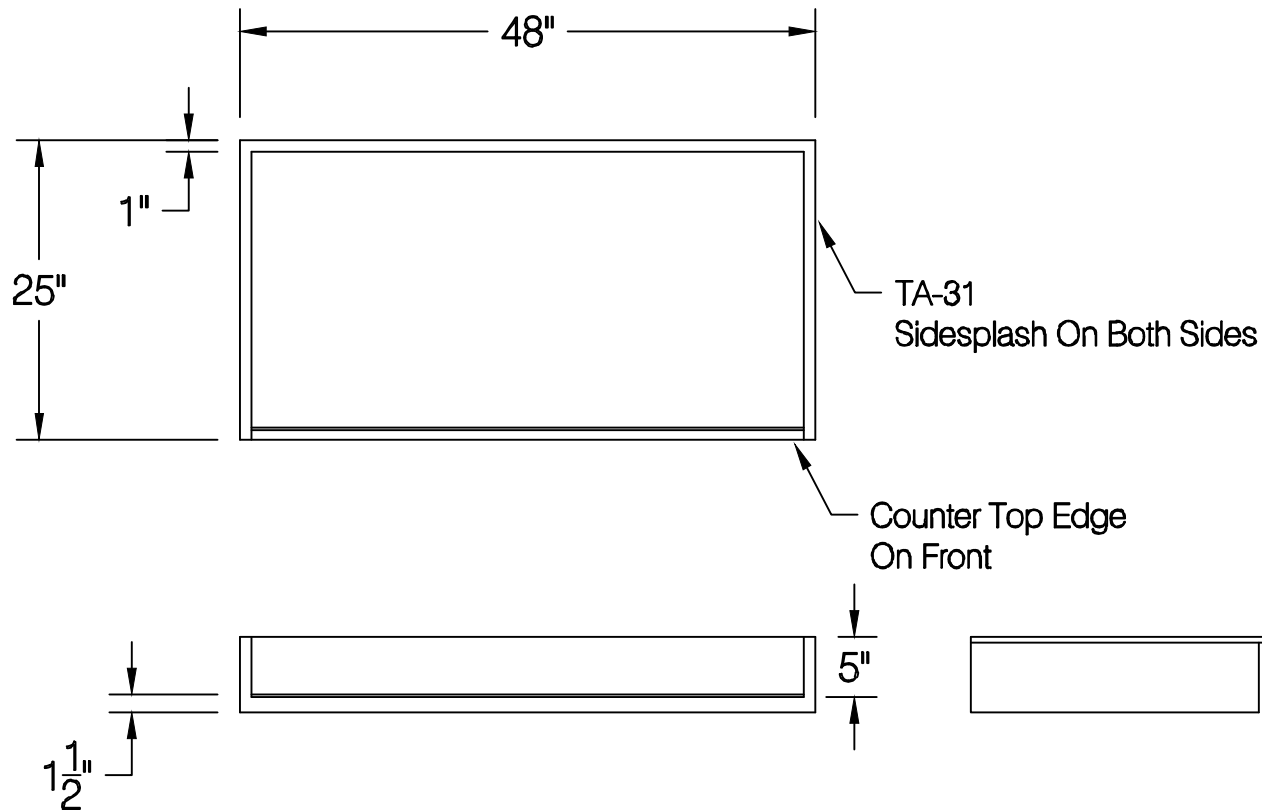


Quantity:



Customer:	Order / Quote # 4157	Sheet #	Original Drawing Date: 10/4/2023	NO.	Revision Date:	By:	Print Approval:	
Job Name:	Model # VCTF-244 / TA-31	Item #	Material: 16 GA.304S/S	1			Accessory Locations MUST Be Verified Prior To Unit Being Fabricated	
Purchase Order # :	Drawn By: E. Mencarelli	Scale: 3/4" = 12"	Tolerance: +.500 -.500	2				
FACTORY USE ONLY:	WELDING: 1) Date: _____ Inspected By: _____ 2) Date: _____ Inspected By: _____	Final Inspection: 1) Date: _____ Inspected By: _____ 2) Date: _____ Inspected By: _____	NSF	3				Approved By _____ Date _____
				4				
				5				Approved By _____ Date _____