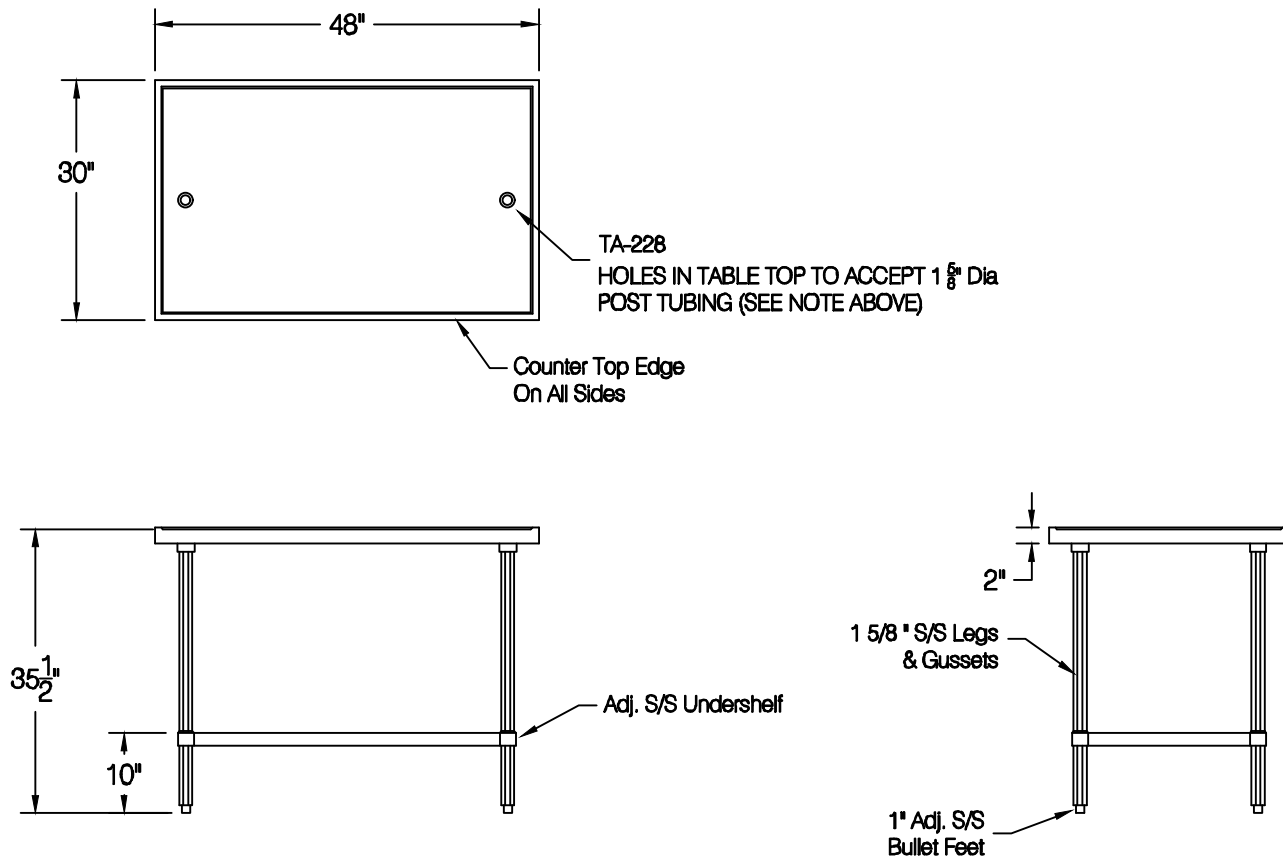


Quantity:

NOTE:
TABLE IS PREPARED FOR MID MOUNT (TA-228) OVER SHELF / POT RACK
INSTALLATION. OVER SHELF / POT RACK IS NOT INCLUDE WITH THIS
TABLE. OVERSHLF / POT RACK MUST BE ORDER SEPRATLY



Customer: Job Name: Purchase Order # : FACTORY USE ONLY:	Order / Quote # 4154	Sheet # 	Original Drawing Date:	NO. 1	Revision Date:	By:	Print Approval:	
	Model # VSS-304 / TA-228	Item #	Material: 14 GA. 304 S/S	NO. 2			Accessory Locations MUST Be Verified Prior To Unit Being Fabricated	
	Drawn By: E. Mencarelli	Scale: 1/2" = 12"	Tolerance: + .500 - .500	NO. 3				
	WELDING: 1) Date: _____ Inspected By: _____ 2) Date: _____ Inspected By: _____	Final Inspection: 1) Date: _____ Inspected By: _____ 2) Date: _____ Inspected By: _____			NSF	NO. 4		Approved By _____ Date _____
					NO. 5			Approved By _____ Date _____