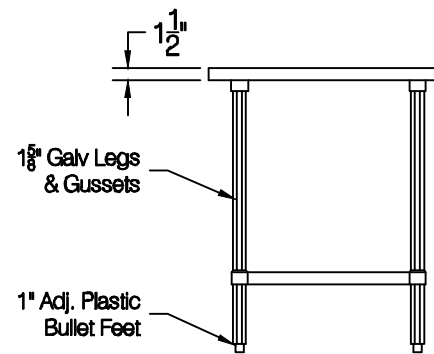
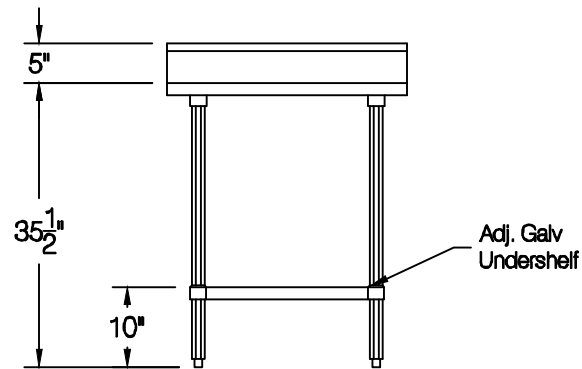
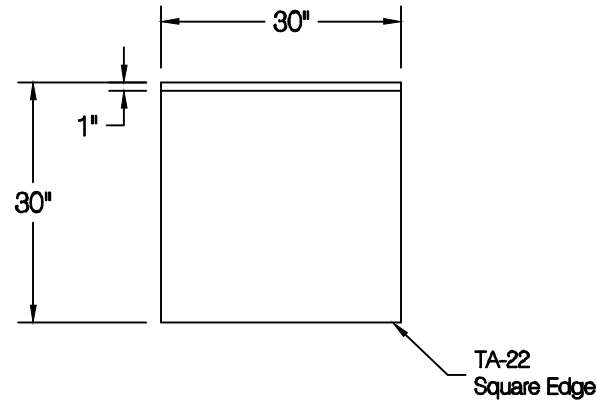


Quantity:



ADVANCE TABCO
325 Wireless Blvd.
Hauppauge, NY 11788
Tel: 800-645-3166
Fax: 631-242-4589
cad@advancetabco.com

Customer: Job Name: Purchase Order # : FACTORY USE ONLY:	Order / Quote # 4152	Sheet # 	Original Drawing Date: 10/4/2023	NO. 1	Revision Date:	By:	Print Approval: Accessory Locations MUST Be Verified Prior To Unit Being Fabricated
	Model # KMG-300 / TA-22	Item # 	Material: 16 GA. 304 S/S	2			
	Drawn By: E. Mencarelli	Scale: 1/2" = 12"	Tolerance: + .500 - .500	3			
	WELDING: 1) Date: _____ Inspected By: ____ 2) Date: _____ Inspected By: ____	Final Inspection: 1) Date: _____ Inspected By: ____ 2) Date: _____ Inspected By: ____		4			
				5			
							Approved By _____ Date _____ Approved By _____ Date _____