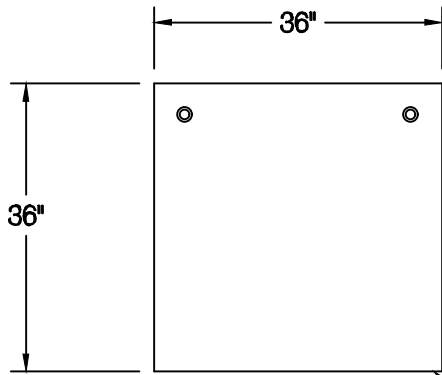


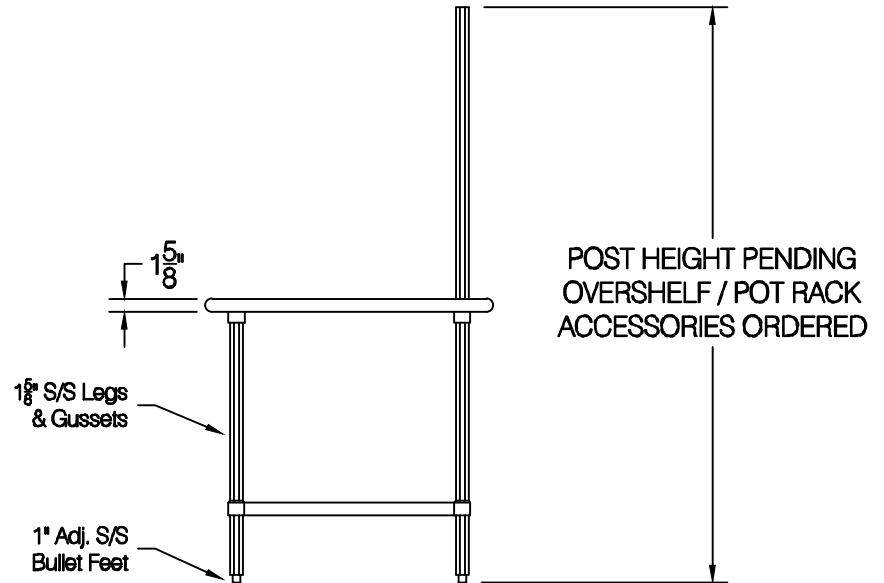
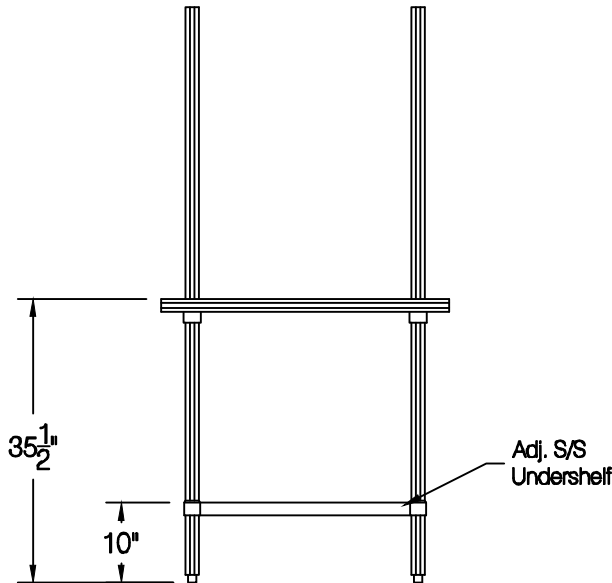
Quantity:



NOTE:

TABLE IS PREPARED FOR REAR MOUNT (TA-229) OVER SHELF / POT RACK INSTALLATION. OVER SHELF / POT RACK IS NOT INCLUDE WITH THIS TABLE. OVERSHLF / POT RACK MUST BE ORDER SEPRATLY

Bull Nose Edge On Front & Rear W/ Squared Sides



ADVANCE TABCO
 325 Wireless Blvd.
 Hauppauge, NY 11788
 Tel: 800-645-3166
 Fax: 631-242-4589
 cad@advancetabco.com

Customer:	Order / Quote #	Sheet #	Original Drawing Date:	NO.	Revision Date:	By:	Print Approval:
	4150		10/5/2023	1			
Job Name:	Model #	Item #	Material:	2			Accessory Locations MUST Be Verified Prior To Unit Being Fabricated
	SS-303 / TA-229		14 GA. 430 S/S	3			
Purchase Order # :	Drawn By:	Scale:	Tolerance:	4			Approved By _____ Date _____
	E. Mencarelli	1/2" = 12"	+ .500 - .500	5			
FACTORY USE ONLY:	WELDING:	Final Inspection:		Approved By _____ Date _____			
	1) Date: _____ Inspected By: _____ 2) Date: _____ Inspected By: _____	1) Date: _____ Inspected By: _____ 2) Date: _____ Inspected By: _____					

