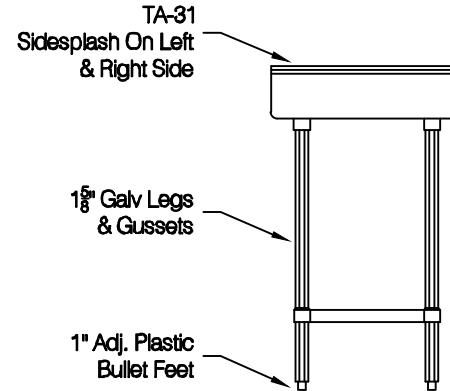
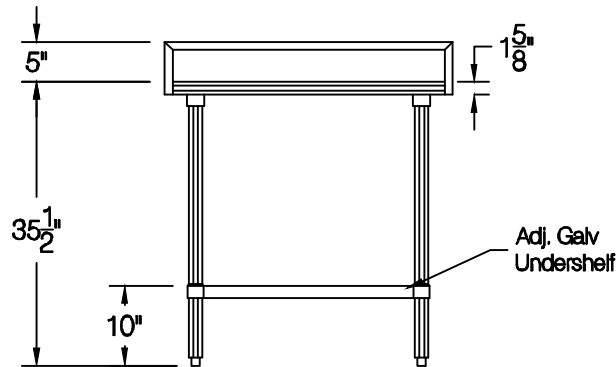
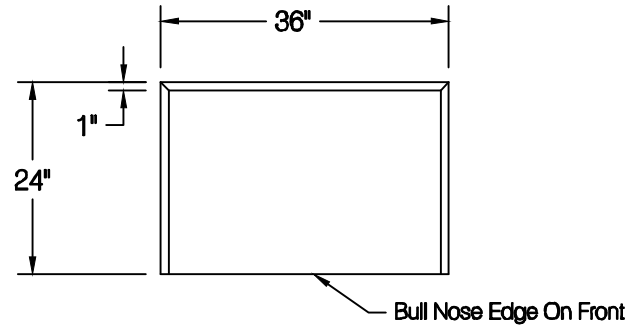


Quantity:



ADVANCE TABCO
 325 Wireless Blvd.
 Hauppauge, NY 11788
 Tel: 800-645-3166
 Fax: 631-242-4589
 cad@advancetabco.com

Customer:	Order / Quote # 4149	Sheet #	Original Drawing Date: 10/4/2023	NO.	Revision Date:	By:	Print Approval:	
Job Name:	Model # KAG-243 / TA-31	Item #	Material: 16 GA. 430S/S	1			Accessory Locations MUST Be Verified Prior To Unit Being Fabricated	
Purchase Order # :	Drawn By: E. Mencarelli	Scale: 1/2" = 12"	Tolerance: +.500 -.500	2				
FACTORY USE ONLY:	WELDING: 1) Date: _____ Inspected By: _____ 2) Date: _____ Inspected By: _____	Final Inspection: 1) Date: _____ Inspected By: _____ 2) Date: _____ Inspected By: _____	NSF	3				Approved By _____ Date _____
				4				
				5				
							Approved By _____ Date _____	