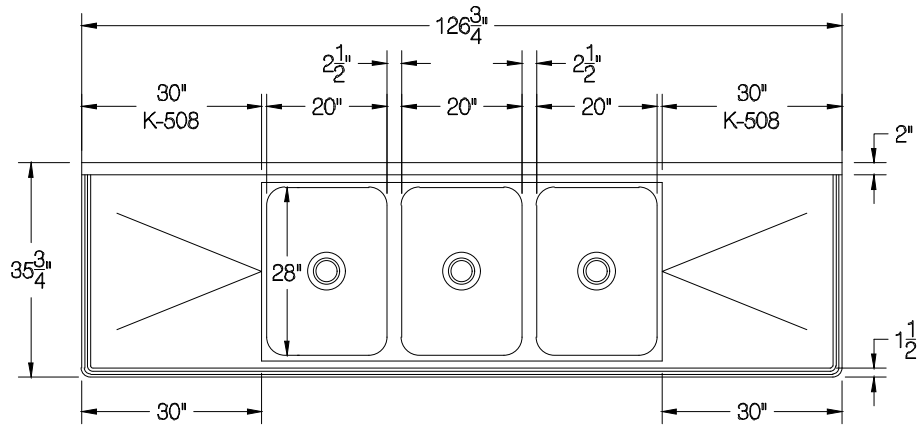
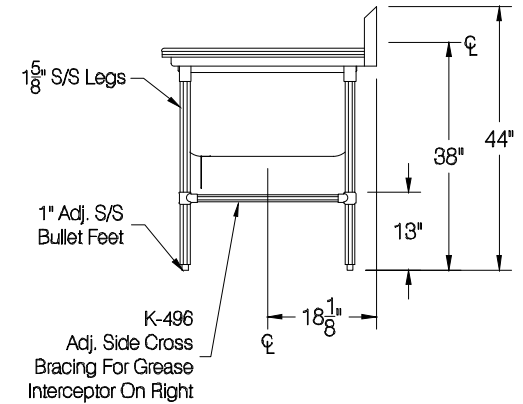
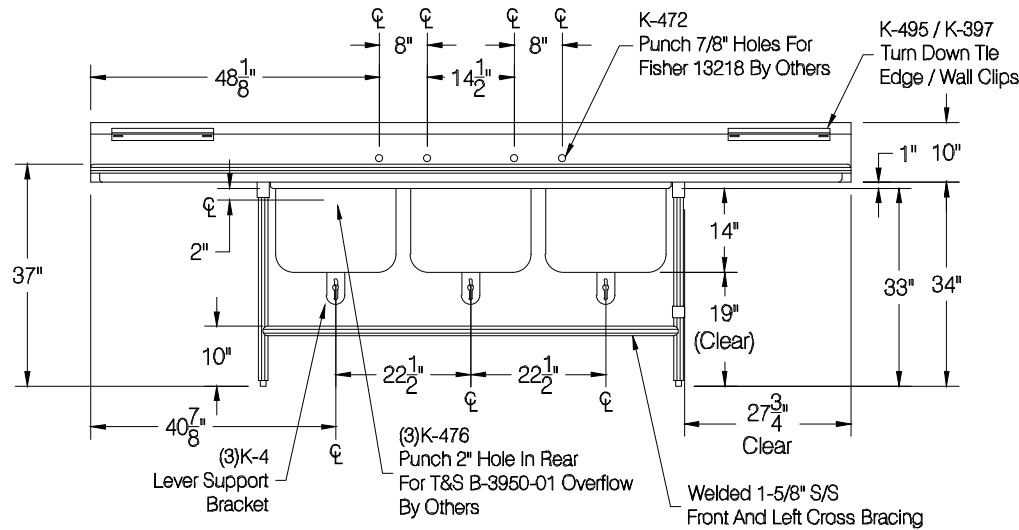


Quantity:



K-23A Welded / Crated Set-Up  
(Unit Fully Welded)



**ADVANCE TABCO**  
325 Wireless Blvd.  
Hauppauge, NY 11788  
Tel: 800-645-3166  
Fax: 631-242-4589  
cad@advancetabco.com

Customer:	Order / Quote # <b>4141</b>	Sheet #	Original Drawing Date: <b>9/12/2023</b>	NO.	Revision Date:	By:	Print Approval:
Job Name:	Model # <b>94-83-60-36RL</b>	Item #	Material: <b>14 GA. 304 S/S</b>	1			Accessory Locations MUST Be Verified Prior To Unit Being Fabricated
Purchase Order # :	Drawn By: <b>E. Mencarelli</b>	Scale: <b>3/8" = 12"</b>	Tolerance: <b>+ .500 - .500</b>	2			
<b>FACTORY USE ONLY:</b>	WELDING: 1) Date: _____ Inspected By: _____ 2) Date: _____ Inspected By: _____	Final Inspection: 1) Date: _____ Inspected By: _____ 2) Date: _____ Inspected By: _____	<b>NSF</b>	3			Approved By _____ Date _____
				4			Approved By _____ Date _____
				5			Approved By _____ Date _____