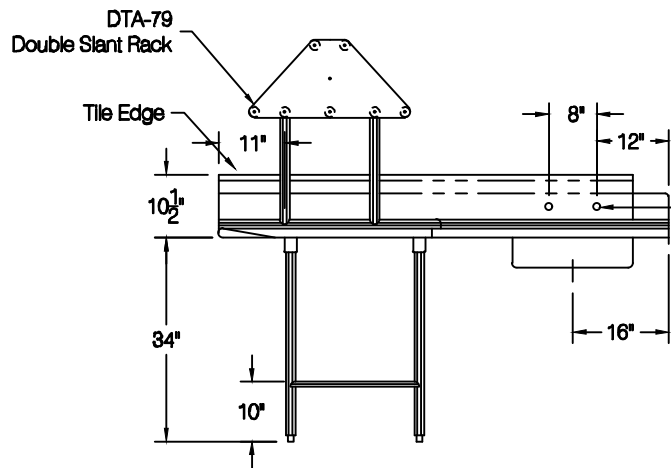
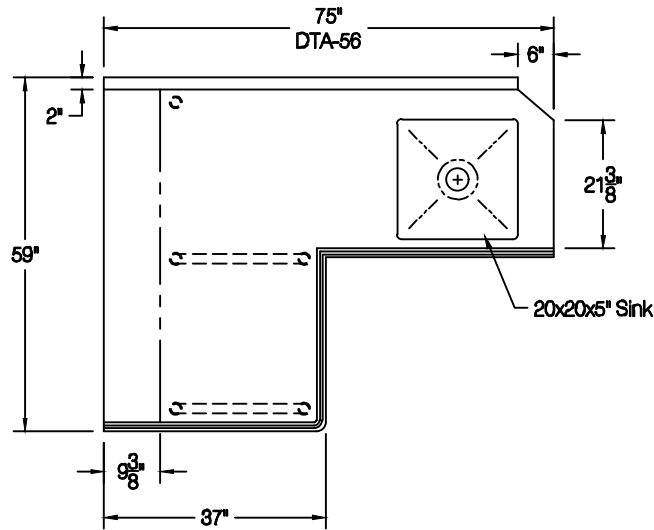
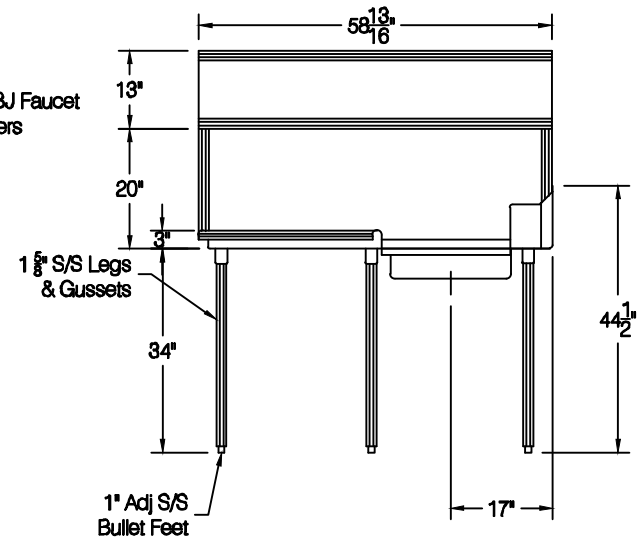


Quantity:



Punch 1 1/8" Holes
For B-0133-CR-BJ Faucet
Supplied By Others



ADVANCE TABCO
325 Wireless Blvd.
Hauppauge, NY 11788
Tel: 800-645-3166
Fax: 631-242-4589
cad@advancetabco.com

| | | | | | | | |
|--------------------------|---|--|------------------------------|-----|----------------|-----|--|
| Customer: | Order / Quote # 4139 | Sheet # | Original Drawing Date: | NO. | Revision Date: | By: | Print Approval: |
| Job Name: | Model # DTS-S70-60L / DTA-56 / DTA-79 | Item # | Material: 14 GA. 304 S/S | 1 | | | Accessory Locations MUST Be Verified Prior To Unit Being Fabricated |
| Purchase Order # : | Drawn By: E. Mencarelli | Scale: 1/2" = 12" | Tolerance: +.500 -.500 | 2 | | | |
| FACTORY USE ONLY: | WELDING: 1) Date: _____ Inspected By: _____ 2) Date: _____ Inspected By: _____ | Final Inspection: 1) Date: _____ Inspected By: _____ 2) Date: _____ Inspected By: _____ | | 3 | | | Approved By _____ Date _____ |
| | | | | 4 | | | Approved By _____ Date _____ |
| | | | | 5 | | | Approved By _____ Date _____ |

