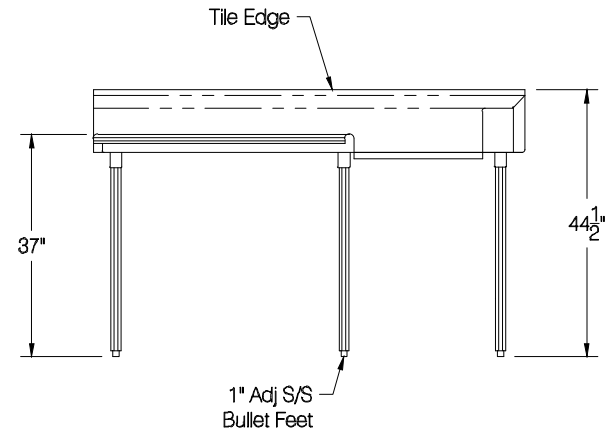
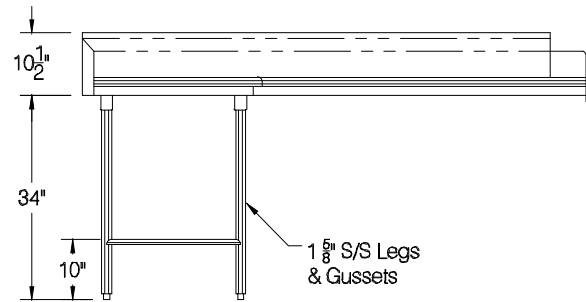
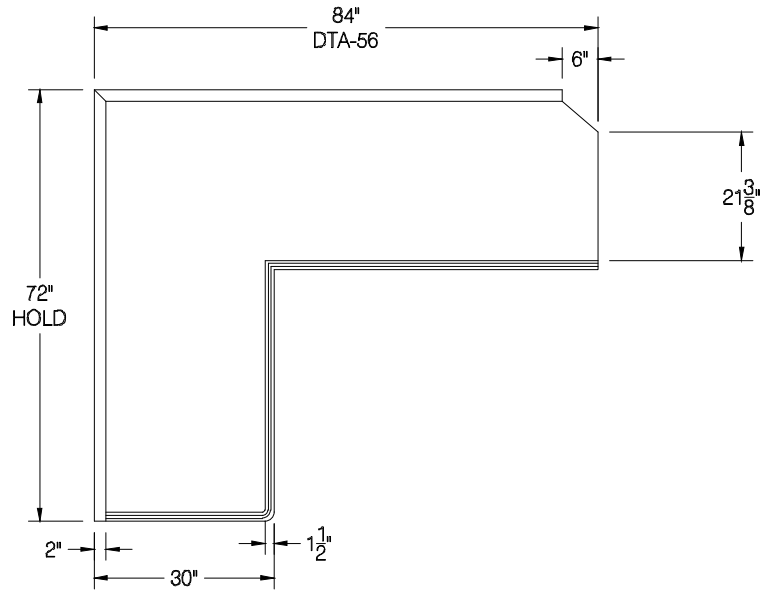


Quantity:



Customer:	Order / Quote #	Sheet #		Original Drawing Date:	NO.	Revision Date:	By:	Print Approval:	
	4135			9/12/2023	1				
	Job Name:	Model #	Item #	Material:	2				Accessory Locations MUST Be Verified Prior To Unit Being Fabricated
		DTC-K30-72L		14 GA. 304 S/S	3				
	Purchase Order # :	Drawn By:	Scale:	Tolerance:	4				
	E. Mencarelli	3/8" = 12"	+ .500 - .500	5					
FACTORY USE ONLY:	WELDING:	Final Inspection:							
	1) Date: _____ Inspected By: _____ 2) Date: _____ Inspected By: _____	1) Date: _____ Inspected By: _____ 2) Date: _____ Inspected By: _____							
				Approved By					Date

