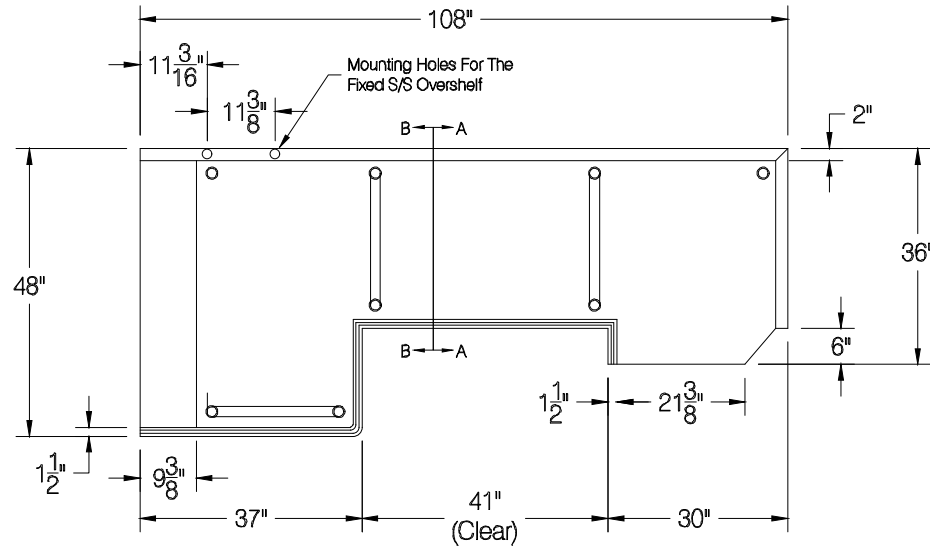


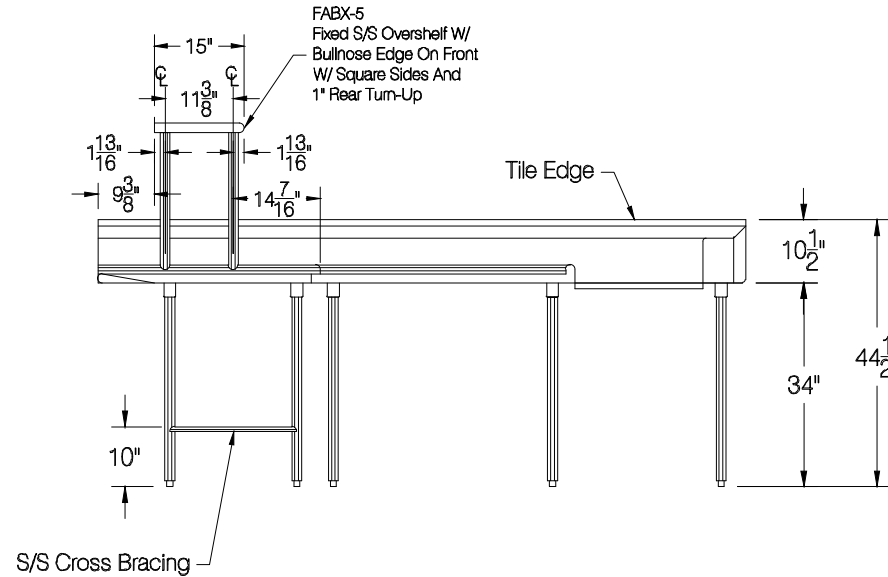
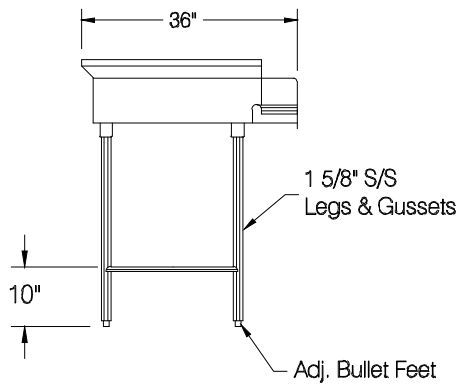
Quantity:



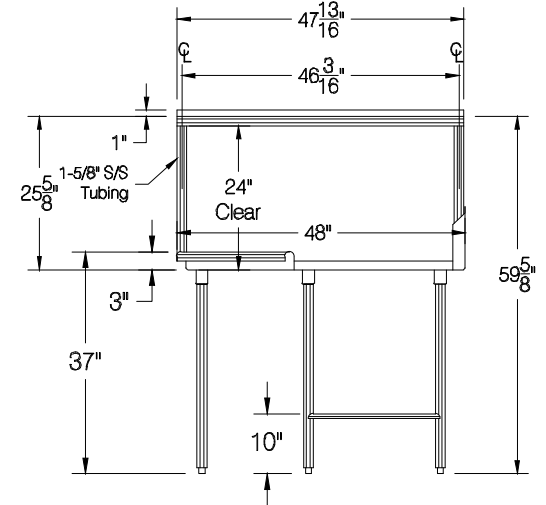
NOTE:

K-508 - NO OBSTRUCTIONS WITHIN 12" OF DISH MACHINE INCLUDING SUPPORT CHANNELS.

SECTION A-A



SECTION B-B



Customer:	Order / Quote #	4133	Sheet #	Original Drawing Date:	NO.	Revision Date:	By:	Print Approval:	
	Job Name:	Model #	Item #	Material:	1			Accessory Locations MUST Be Verified Prior To Unit Being Fabricated	
	Purchase Order # :	DTTOGA		14GA. 300 S/S	2				
	FACTORY USE ONLY:	WELDING:	Drawn By:	Scale:	Tolerance:	3			Approved By _____ Date _____
			E. Mencarelli	3/8" = 12"	+ .500 - .500	4			
		Final Inspection:			5			Approved By _____ Date _____	
1) Date: _____ Inspected By: _____		2) Date: _____ Inspected By: _____		1) Date: _____ Inspected By: _____		2) Date: _____ Inspected By: _____			

