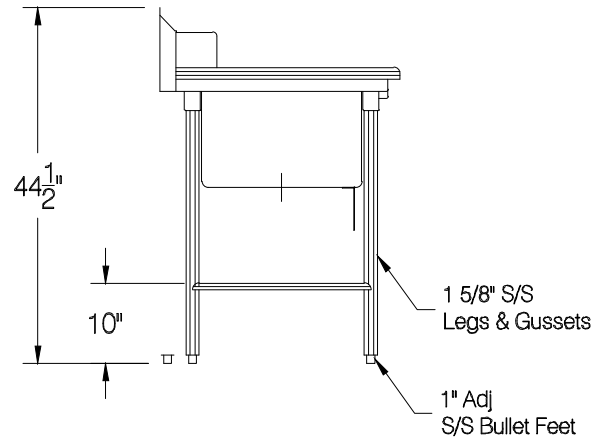
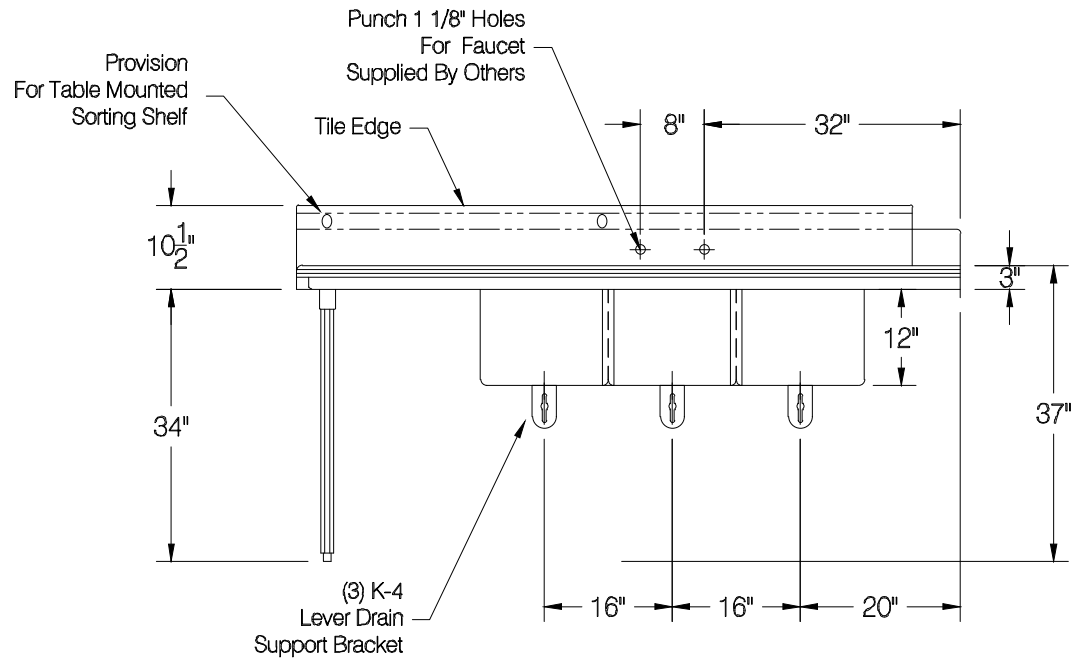
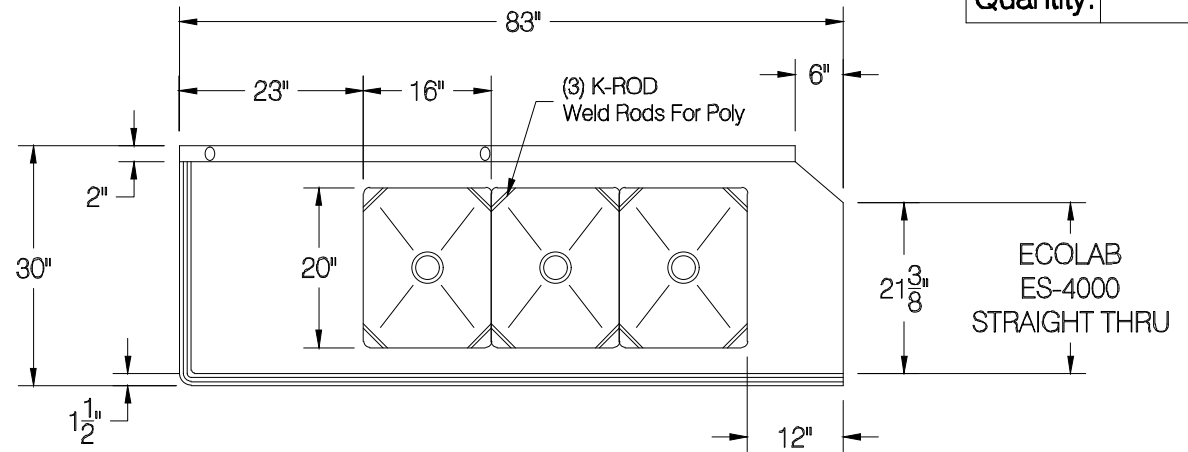


Quantity:



Customer:	Order / Quote# 4129	Sheet #	Original Drawing Date: 3/1/2023	NO.	Revision Date:	By:	Print Approval:
Job Name:	Model # DTC-3-1620-84L	Item #	Material: 16 Ga. 304 S/S	1			Accessory Locations MUST Be Verified Prior To Unit Being Fabricated
Purchase Order # :	Drawn By: E.Mencarelli	Scale: 1/2" = 12"	Tolerance: + .500 - .500	2			
FACTORY USE ONLY:	WELDING: 1) Date: _____ Inspected By: _____ 2) Date: _____ Inspected By: _____	Final Inspection: 1) Date: _____ Inspected By: _____ 2) Date: _____ Inspected By: _____	NSF	3			Approved By _____ Date _____
				4			Approved By _____ Date _____
				5			Approved By _____ Date _____