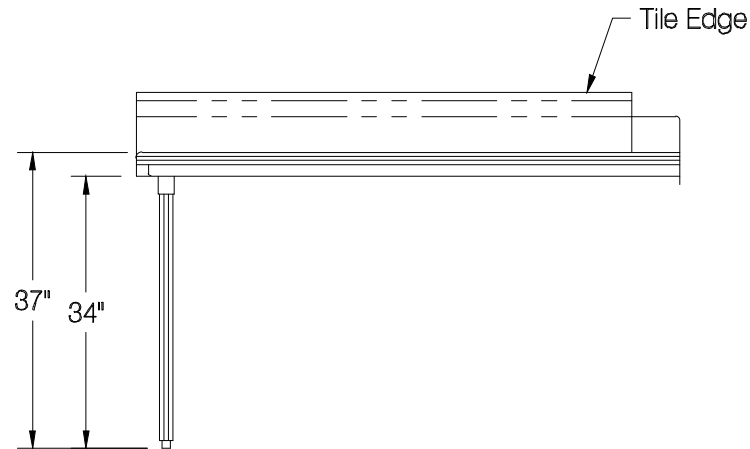
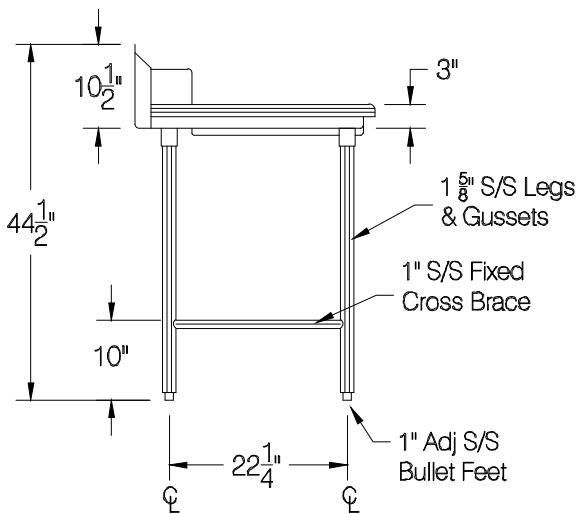
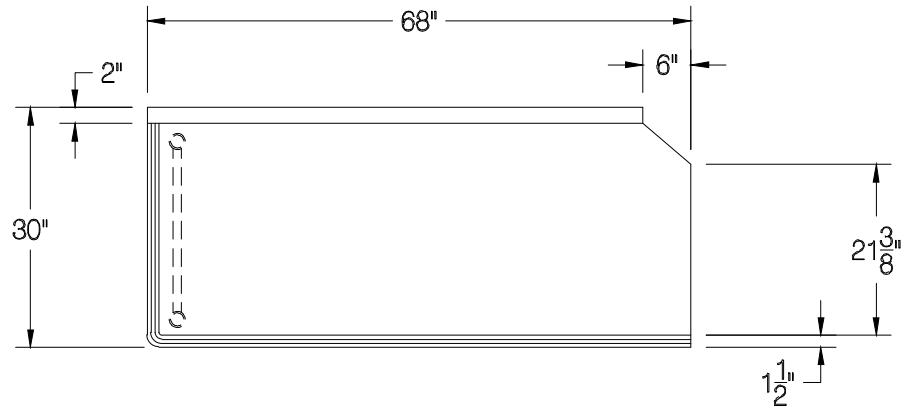


Quantity:



Customer:	Order / Quote #	4127	Sheet #	Original Drawing Date:	NO.	Revision Date:	By:	Print Approval:	
	Job Name:	Model #	Item #	Material:	1			Accessory Locations MUST Be Verified Prior To Unit Being Fabricated	
	Purchase Order # :	DTC-S70-72L		16 GA. 304 S/S	2				
		Drawn By:	E.Mencarelli	Scale:	Tolerance:	3			Approved By _____ Date _____
				1/2" = 12"	+ .500 - .500	4			
FACTORY USE ONLY:	WELDING:	Final Inspection:						Approved By _____ Date _____	
	1) Date: _____ Inspected By: _____ 2) Date: _____ Inspected By: _____	1) Date: _____ Inspected By: _____ 2) Date: _____ Inspected By: _____							

