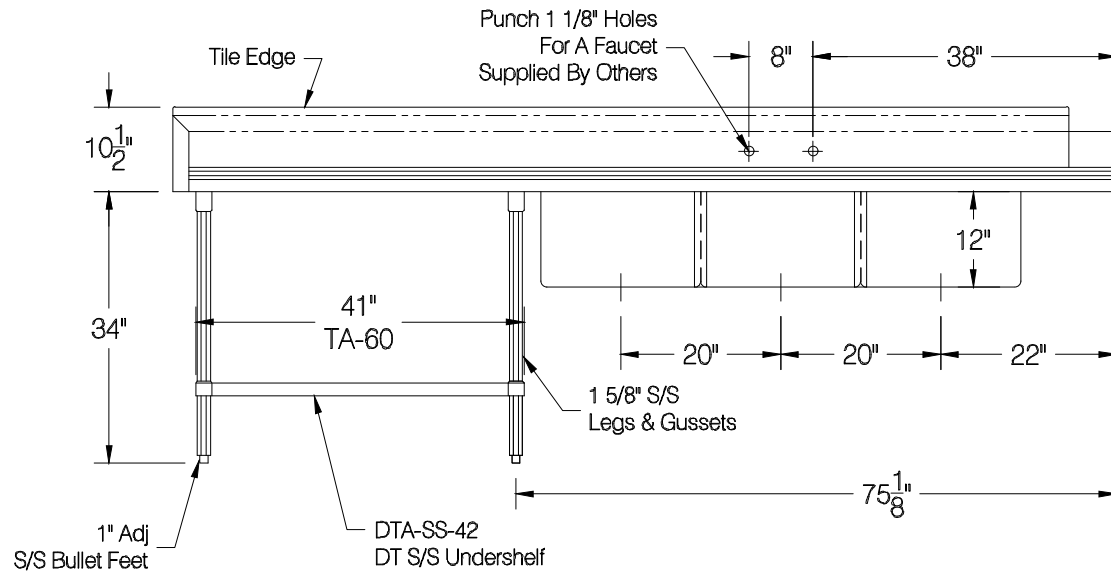
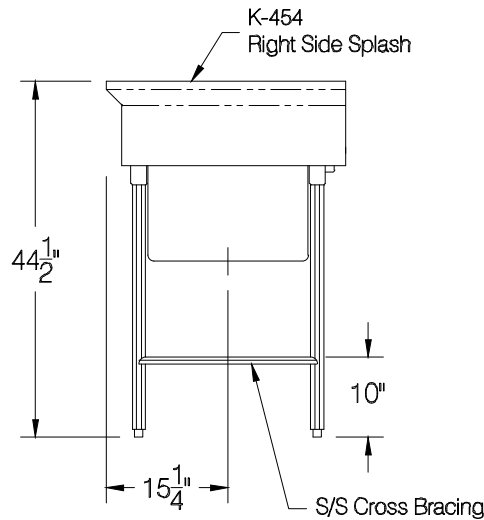
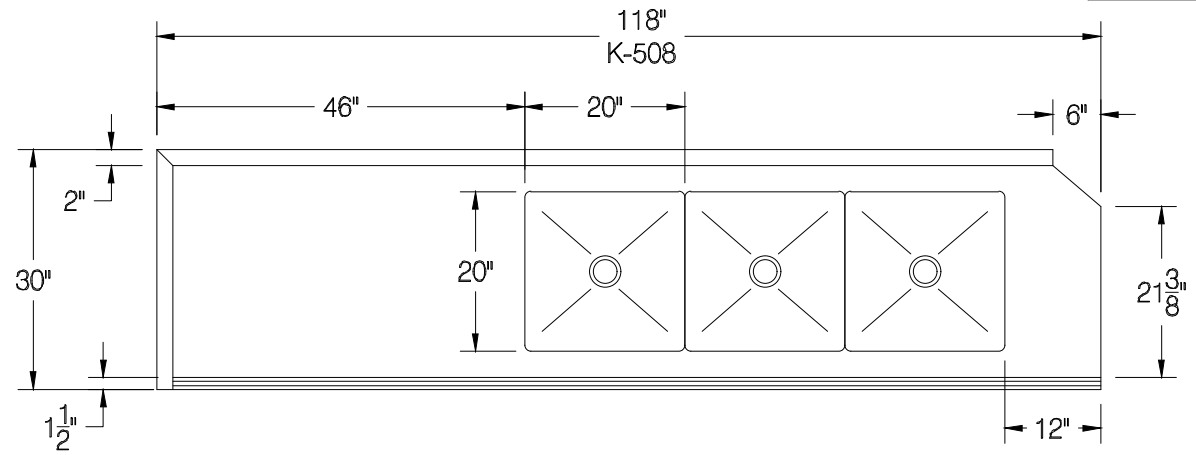


Quantity:



Customer:	Order / Quote#	4126		Sheet #	Original Drawing Date:	NO.	Revision Date:	By:	Print Approval:		
	Job Name:	Model #	DTC-3-2020-144L	Item #	Material:	1				Accessory Locations MUST Be Verified Prior To Unit Being Fabricated	
	Purchase Order # :	Drawn By:	E. Mencarelli	Scale:	Tolerance:	2					
	FACTORY USE ONLY:	WELDING:	Final Inspection:	1) Date: _____ Inspected By: _____	2) Date: _____ Inspected By: _____	3					Approved By _____ Date _____
				1) Date: _____ Inspected By: _____	2) Date: _____ Inspected By: _____	4					
			1) Date: _____ Inspected By: _____	2) Date: _____ Inspected By: _____	5			Approved By _____ Date _____			

