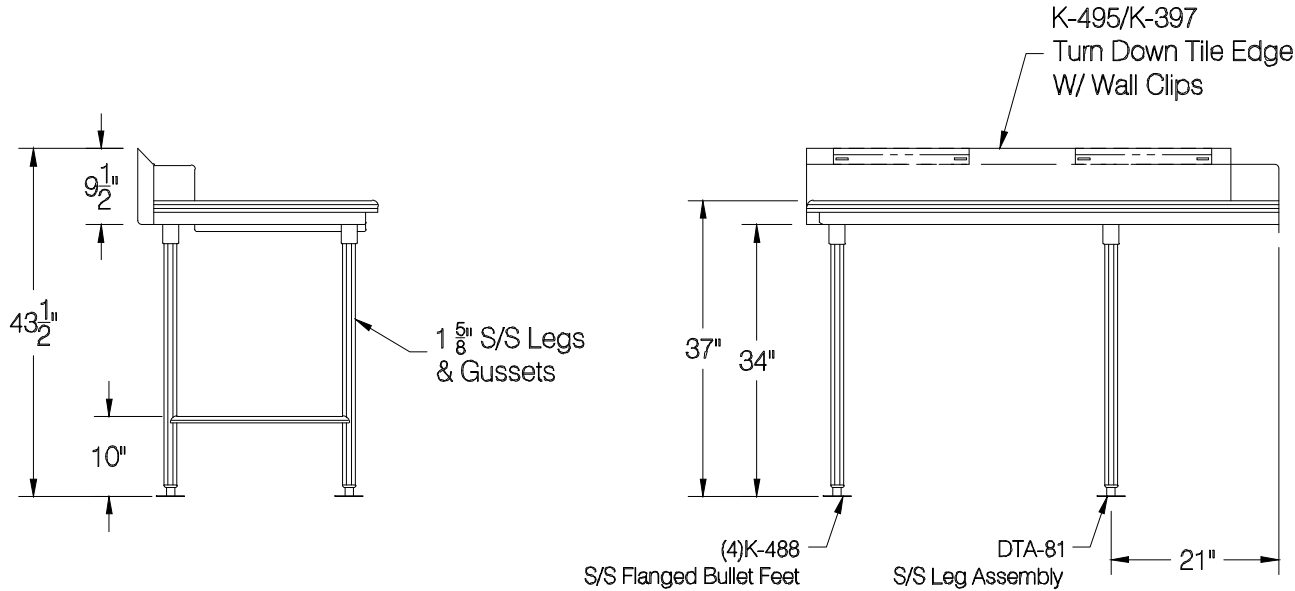
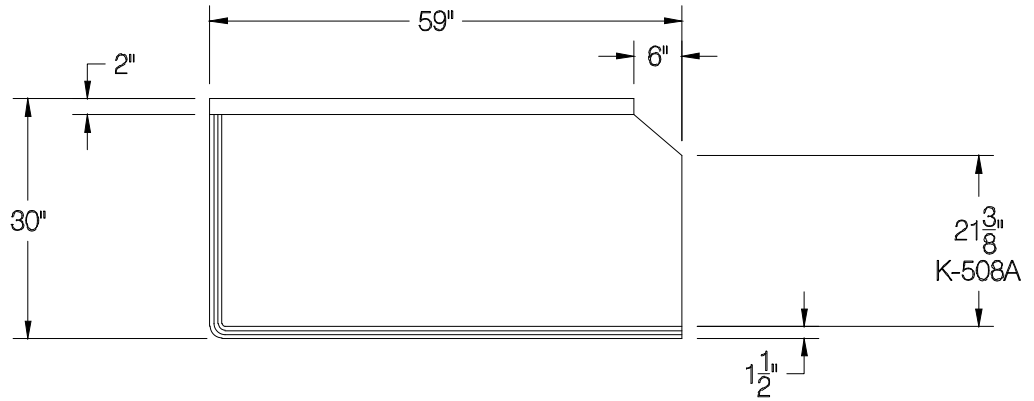


Quantity:



ADVANCE TABCO
 325 Wireless Blvd.
 Hauppauge, NY 11788
 Tel: 800-645-3166
 Fax: 631-242-4589
 cad@advancetabco.com

Customer:	Order / Quote#	4124		Sheet #	Original Drawing Date:	NO.	Revision Date:	By:	Print Approval:
	Job Name:	Model #	Item #	Material:		1			Accessory Locations MUST Be Verified Prior To Unit Being Fabricated
	Purchase Order # :	Drawn By:	Scale:	Tolerance:		2			
		E. Mencarelli	1/2" = 12"	+ .500 - .500		3			
	FACTORY USE ONLY:	WELDING:	Final Inspection:				4		Approved By
	1) Date: _____ Inspected By: _____ 2) Date: _____ Inspected By: _____	1) Date: _____ Inspected By: _____ 2) Date: _____ Inspected By: _____				5		Approved By	Date

