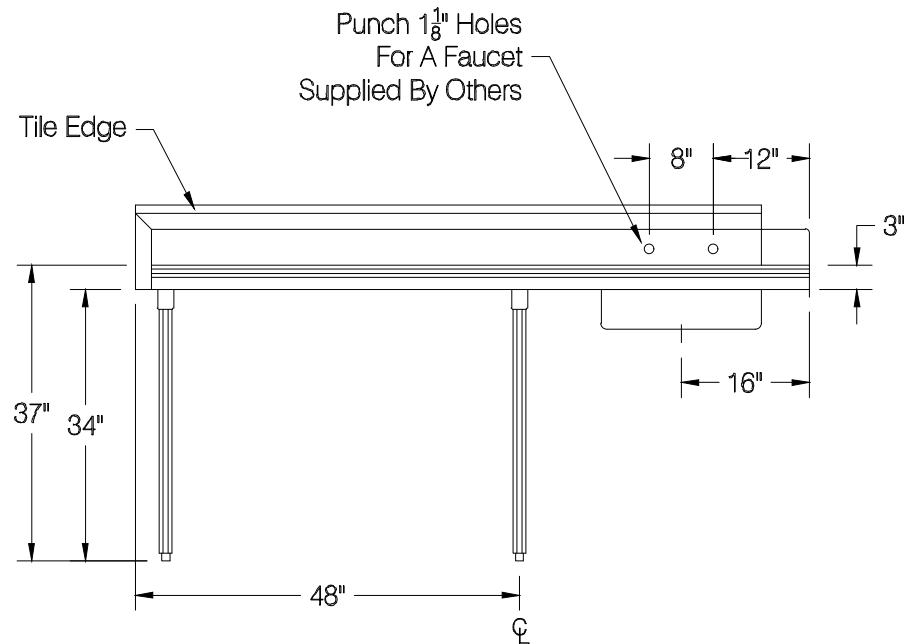
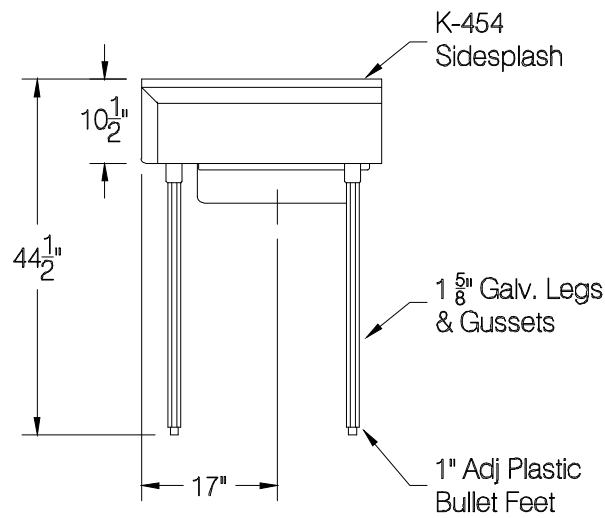
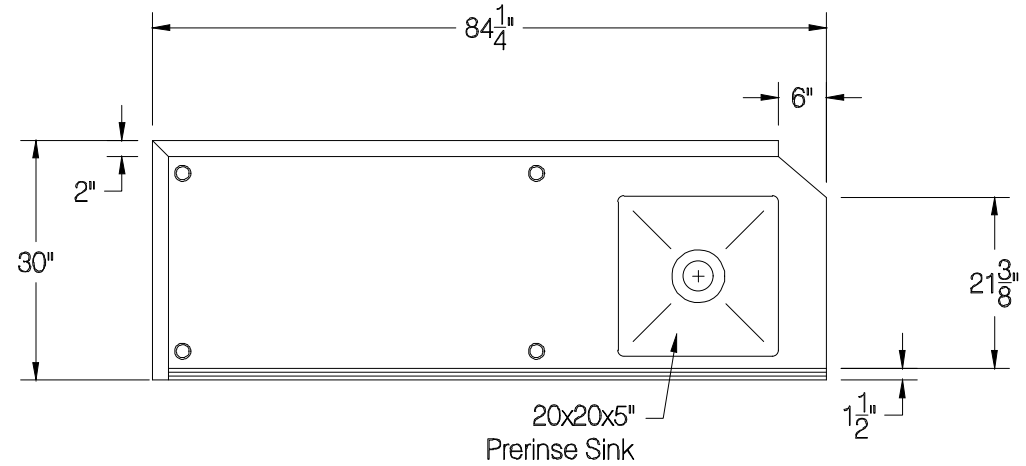


Quantity: 1



Customer:	Order / Quote # 4120	Sheet #	Original Drawing Date:	NO.	Revision Date:	By:	Print Approval:
		1 / 1	9/26/2023	1			
Job Name:	Model # DTS-S60-96L	Item #	Material:	2			Approved By _____ Date _____
			16 Ga 304 S/S	3			
Purchase Order # :	Drawn By: E. Mencarelli	Scale:	Tolerance:	4			Approved By _____ Date _____
		1/2" = 12"	+ .500 - .500	5			
FACTORY USE ONLY:	WELDING:	Final Inspection:					
	1) Date: _____ Inspected By: _____ 2) Date: _____ Inspected By: _____	1) Date: _____ Inspected By: _____ 2) Date: _____ Inspected By: _____					

