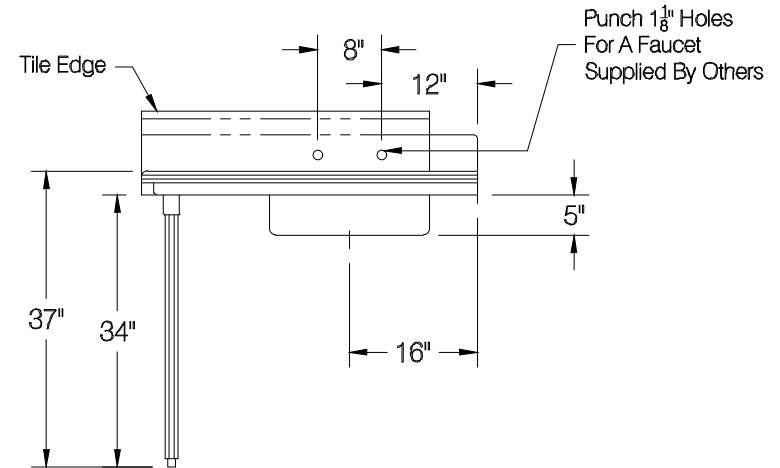
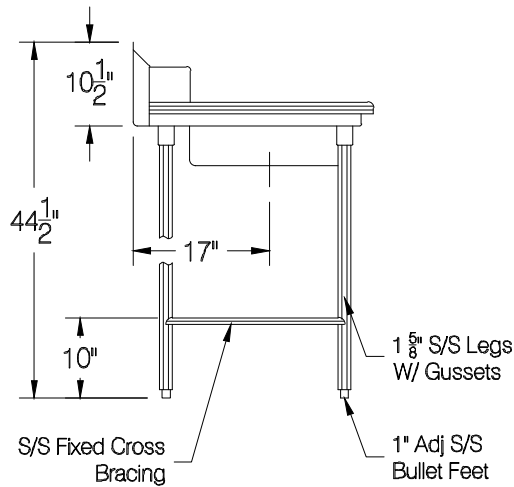
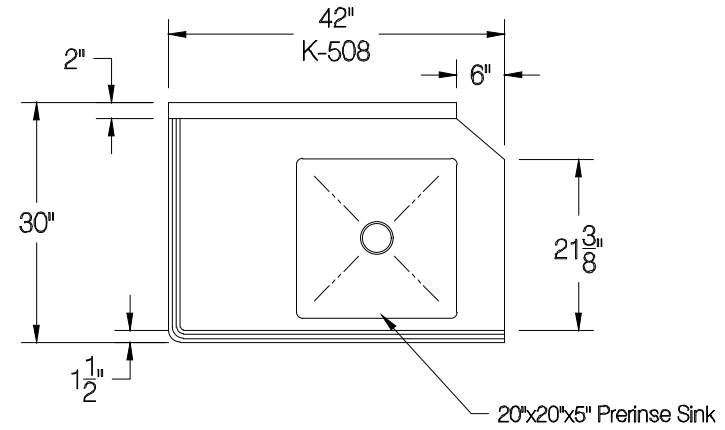


Quantity:




**ADVANCE TABCO**  
 325 Wireless Blvd.  
 Hauppauge, NY 11788  
 Tel: 800-645-3166  
 Fax: 631-242-4589  
 cad@advancetabco.com

Customer:	Order / Quote#	4117		Sheet #	Original Drawing Date:	NO.	Revision Date:	By:	Print Approval:				
	Job Name:	Model #	DTS-S70-48L		Item #	Material:	1			Accessory Locations MUST Be Verified Prior To Unit Being Fabricated			
		Purchase Order # :	Drawn By:	E.Mencarelli		Scale:	Tolerance:	2					
			FACTORY USE ONLY:	WELDING:	Final Inspection:	1/2" = 12"	+ .500	3				Approved By	Date
						- .500	4						
1) Date: _____ Inspected By: _____	2) Date: _____ Inspected By: _____	1) Date: _____ Inspected By: _____	2) Date: _____ Inspected By: _____	5		Approved By	Date						

