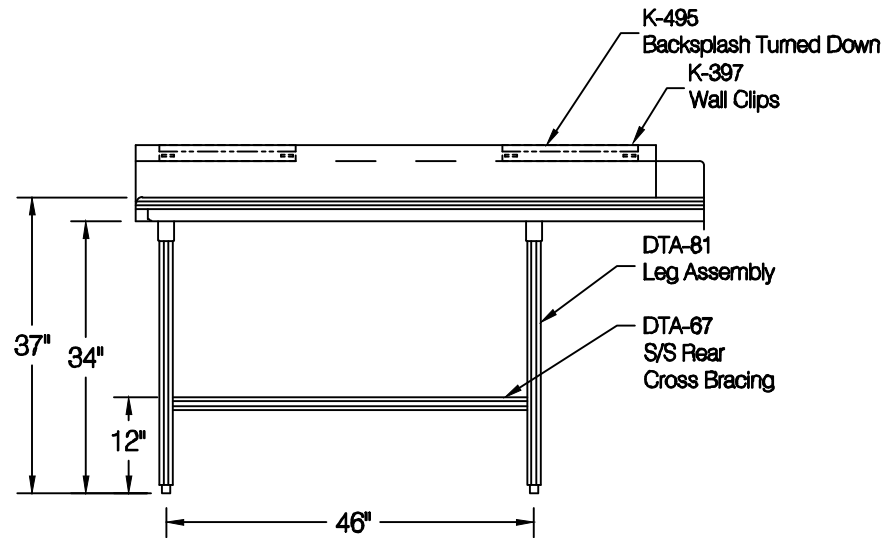
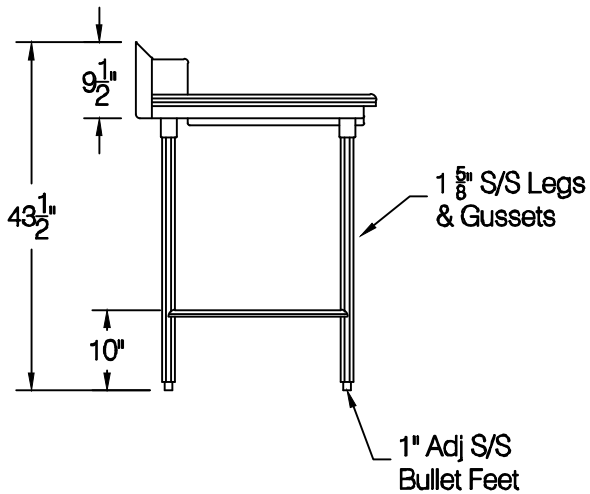
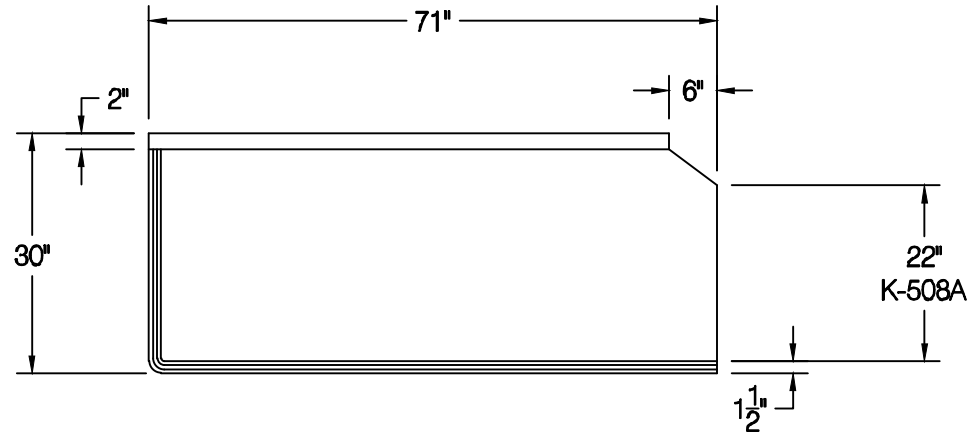


Quantity: 1

NOTE:
K-23 Welded Set - Up/ Crated



ADVANCE TABCO
200 Heartland Blvd.
Edgewood, NY 11717-8380
Tel: 800-645-3166
Fax: 631-242-4589
cad@advancetabco.com

Customer:	Order / Quote#	Sheet #	Original Drawing Date:	NO.	Revision Date:	By:	Print Approval:
	4113	1	2/27/2023	1			Accessory Locations MUST Be Verified Prior To Unit Being Fabricated
Job Name:	Model #	Item #	Material:	2			
	DTC-S30-72L		14 GA. 304 S/S	3			
Purchase Order # :	Drawn By:	Scale:	Tolerance:	4			Approved By _____ Date _____
		1/2" = 12"	+ .500 - .500	5			
FACTORY USE ONLY:	WELDING:	Final Inspection:		Approved By _____ Date _____			
	1) Date: _____ Inspected By: _____ 2) Date: _____ Inspected By: _____	1) Date: _____ Inspected By: _____ 2) Date: _____ Inspected By: _____					

