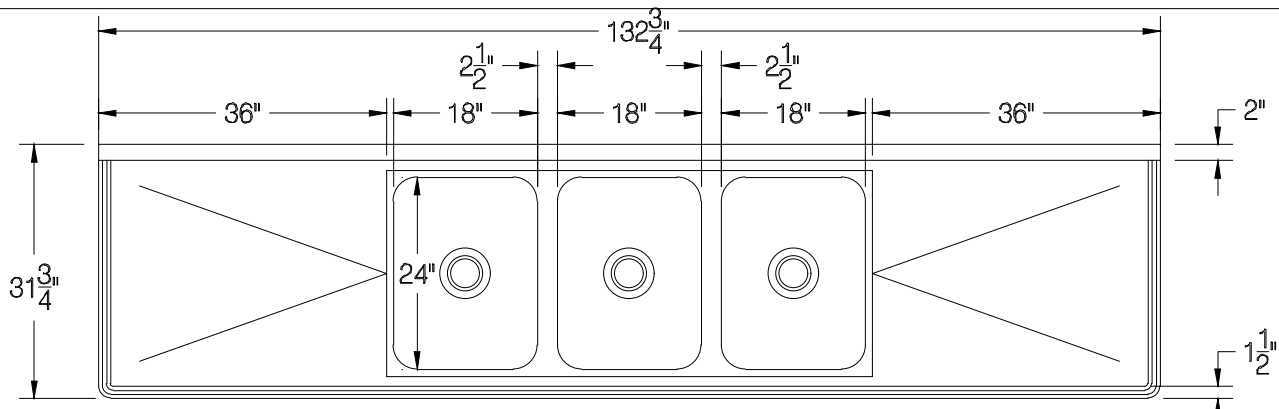


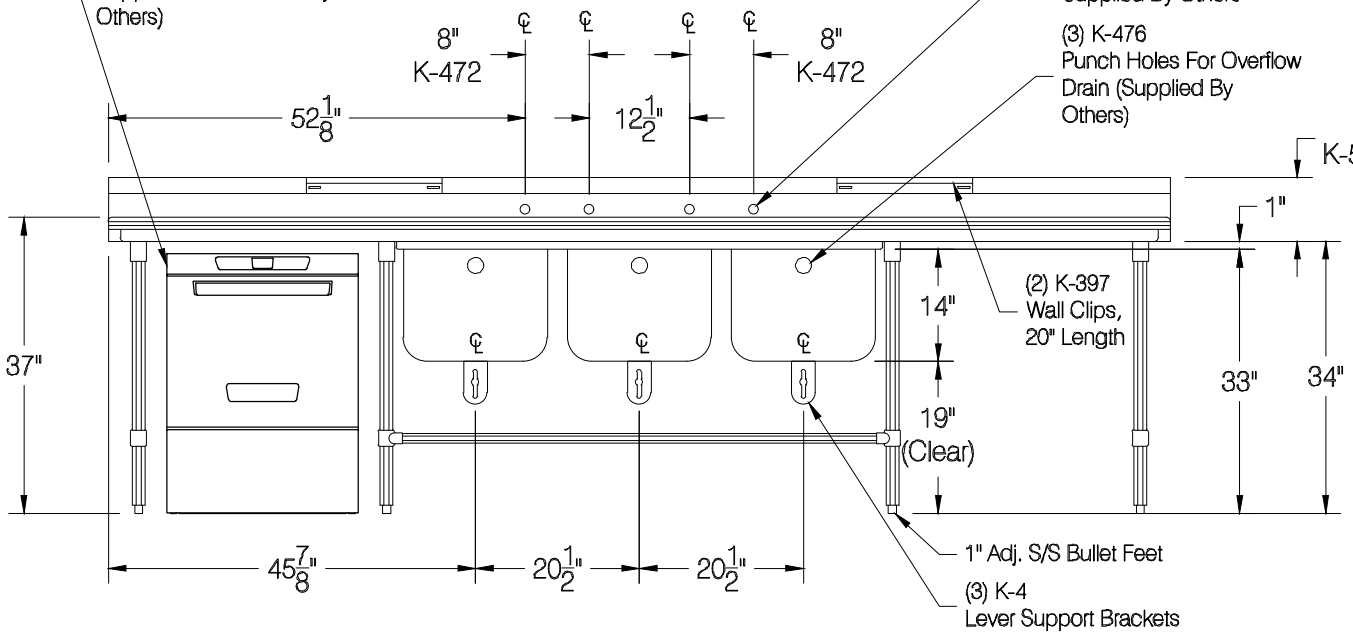
Quantity:



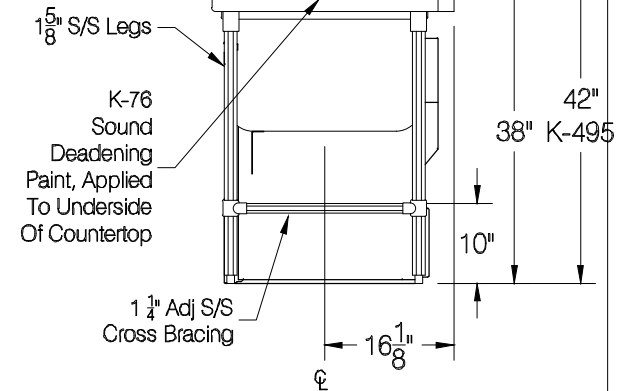
K-510
Preparation For Undercounter
Dishwasher (Hobart LXER -
Supplied And Installed By
Others)

K-472
Punch (2) Sets Of 1 1/8"
Holes For Faucet
Supplied By Others

(3) K-476
Punch Holes For Overflow
Drain (Supplied By
Others)



K-508 / K-495



ADVANCE TABCO
325 Wireless Blvd.
Hauppauge, NY 11788
Tel: 800-645-3166
Fax: 631-242-4589
cad@advancetabco.com

Customer:	Order / Quote# 4104	Sheet #	Original Drawing Date: 9/12/2023	NO.	Revision Date:	By:	Print Approval: Accessory Locations MUST Be Verified Prior To Unit Being Fabricated
Job Name:	Model # 94-63-54-36RL	Item #	Material: 14 GA. 304 S/S	1			
Purchase Order # :	Drawn By: E.Mencarelli	Scale: 1/2"=12"	Tolerance: +.500 -.500	2			Approved By _____ Date _____
FACTORY USE ONLY:	WELDING: 1) Date: _____ Inspected By: _____ 2) Date: _____ Inspected By: _____	Final Inspection: 1) Date: _____ Inspected By: _____ 2) Date: _____ Inspected By: _____		3			
				4			
				5			Approved By _____ Date _____

