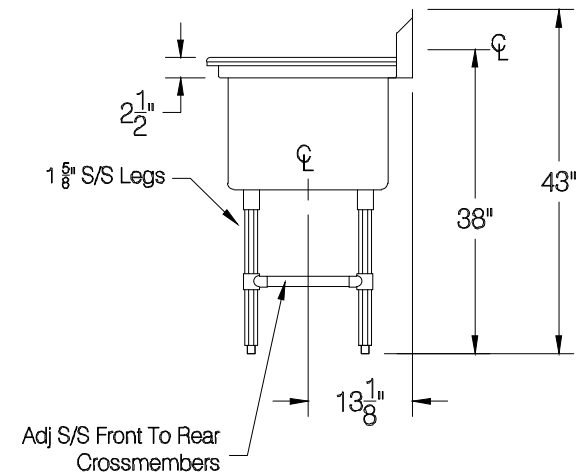
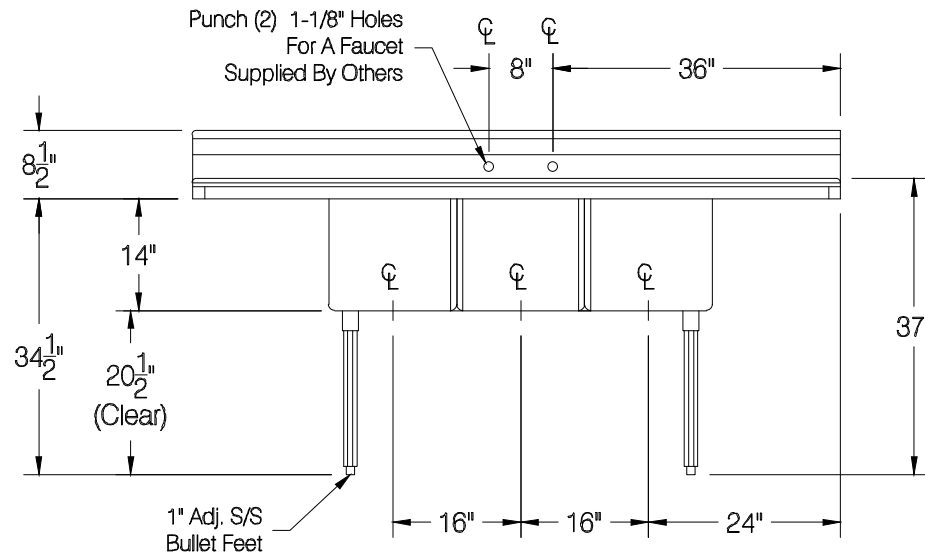
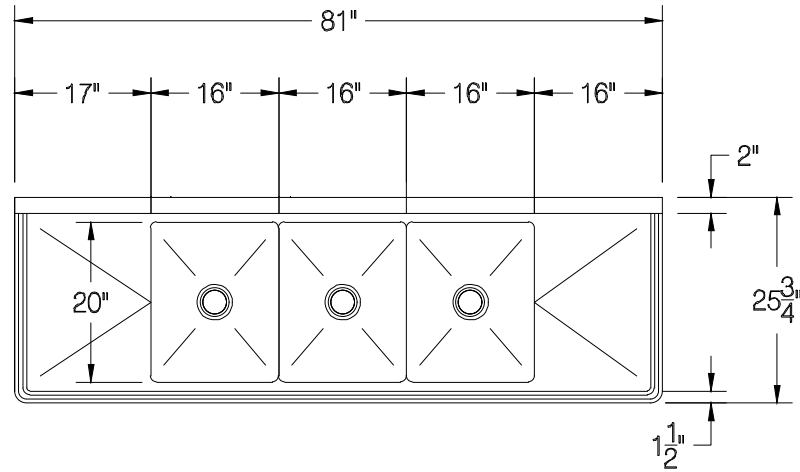


Quantity:



Customer: Job Name: Purchase Order # : FACTORY USE ONLY:	Customer: Order / Quote# 4103	Sheet # Original Drawing Date: 9/12/2023	NO. Revision Date: By:	Print Approval: Accessory Locations MUST Be Verified Prior To Unit Being Fabricated
	Model # FC-3-1620-18RL	Item # Material: 16 GA. 304 S/S	1 2 3 4 5	
	Drawn By: E.Mencarelli	Scale: 1/2" = 12"	Tolerance: + .500 - .500	
	WELDING: Final Inspection:	1) Date: _____ Inspected By: _____ 2) Date: _____ Inspected By: _____	1) Date: _____ Inspected By: _____ 2) Date: _____ Inspected By: _____	
	NSF			