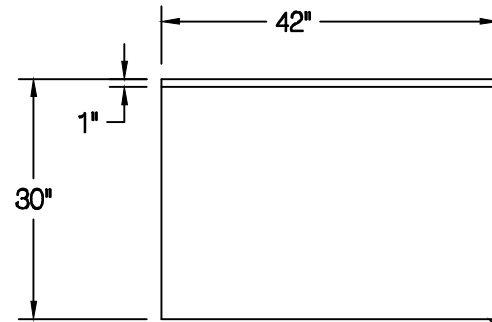
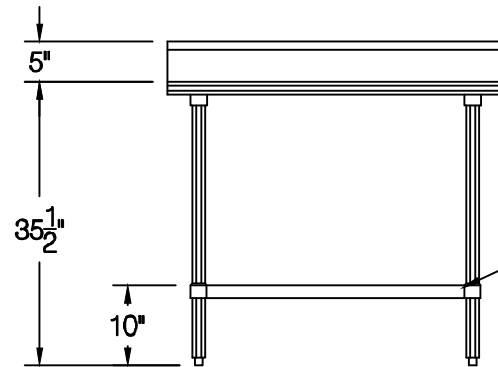


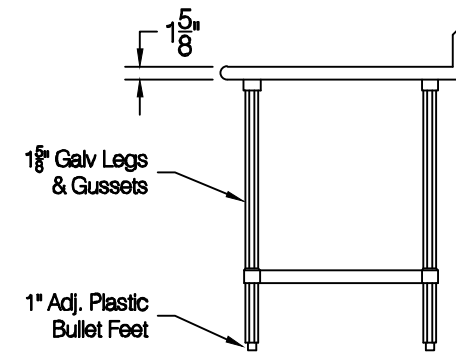
Quantity:



Bull Nose Edge On Front
W/ Squared Sides



Adj. Galv
Undershelf



1 5/8 Galv Legs
& Gussets

1 inch Adj. Plastic
Bullet Feet

ADVANCE TABCO
325 Wireless Blvd.
Hauppauge, NY 11788
Tel: 800-645-3166
Fax: 631-242-4589
cad@advancetabco.com

| | | | | | | | | |
|----------------------|-----------------------------------------------------------------------------------|--------------------------------------------------------------------------------------------|------------------------------|-----|----------------|-----|------------------------------------------------------------------------|------------------------------|
| Customer: | Order / Quote # 4008 | Sheet # | Original Drawing Date: | NO. | Revision Date: | By: | Print Approval: | |
| Job Name: | Model # KAG-304 / TA-61 | Item # | Material: 16 GA. 430 S/S | 1 | | | Accessory Locations MUST Be Verified Prior To Unit Being Fabricated | |
| Purchase Order # : | Drawn By: E. Mencarelli | Scale: 1/2" = 12" | Tolerance: +.500 -.500 | 2 | | | | |
| FACTORY USE ONLY: | WELDING: 1) Date: _____ Inspected By: _____ 2) Date: _____ Inspected By: _____ | Final Inspection: 1) Date: _____ Inspected By: _____ 2) Date: _____ Inspected By: _____ | NSF | 3 | | | | Approved By _____ Date _____ |
| | | | | 4 | | | | |
| | | | | 5 | | | | |
| | | | | | | | Approved By _____ Date _____ | |