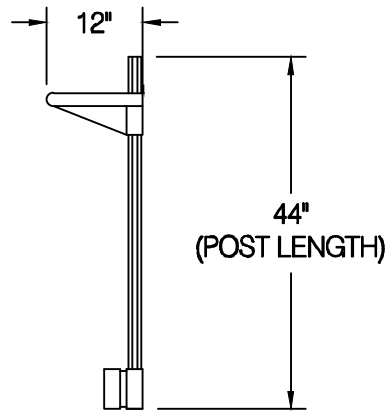
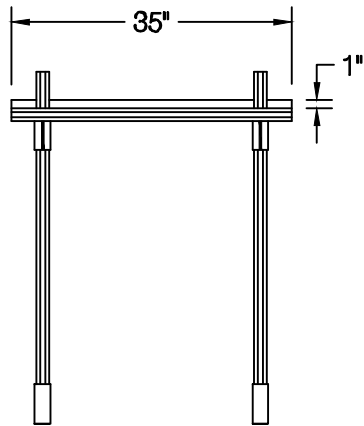


Quantity:



Customer:	Order / Quote # 4007	Sheet #	Original Drawing Date:	NO.	Revision Date:	By:	Print Approval:
Job Name:	Model # PT-12S-36 / TA-60	Item #	Material: 18GA.430 S/S	1			Accessory Locations MUST Be Verified Prior To Unit Being Fabricated
Purchase Order #:	Drawn By: E. Mencarelli	Scale: 1/2" = 12"	Tolerance: +.500 -.600	2			
FACTORY USE ONLY:	WELDING: 1) Date: _____ Inspected By: _____ 2) Date: _____ Inspected By: _____	Final Inspector:		3			Approved By _____ Date _____
				4			
				5			

