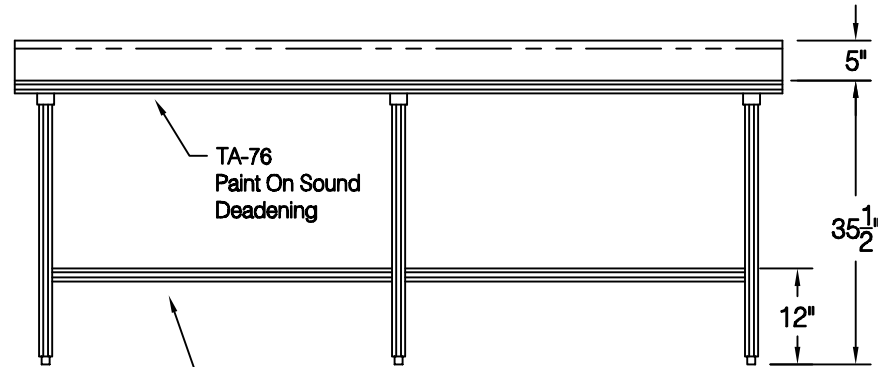
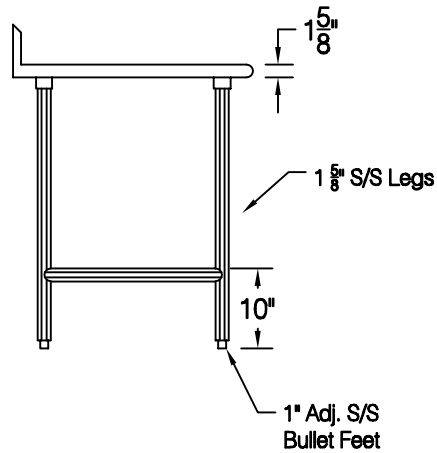


Bull Nose Edge On Front
w/ Square Sides



TA-76
Paint On Sound
Deadening

S/S rear & side
Cross Bracing



| | | | | | | | |
|--------------------|---|--|------------------------------|-----|----------------|-----|--|
| Customer: | Order / Quote# 224 | Sheet # | Original Drawing Date: | NO. | Revision Date: | By: | Print Approval: |
| Job Name: | Model # TSAG-308 / TA-76 | Item # | Material: 16 Ga 430 S/S | 1 | | | Accessory Locations MUST Be Verified Prior To Unit Being Fabricated |
| Purchase Order # : | Drawn By: E. Mencarelli | Scale: 1/2" = 12" | Tolerance: +.500 -.500 | 2 | | | |
| FACTORY USE ONLY: | WELDING: 1) Date: _____ Inspected By: _____ 2) Date: _____ Inspected By: _____ | Final Inspection: 1) Date: _____ Inspected By: _____ 2) Date: _____ Inspected By: _____ | | 3 | | | Approved By _____ Date _____ |
| | | | | 4 | | | Approved By _____ Date _____ |
| | | | | 5 | | | |

