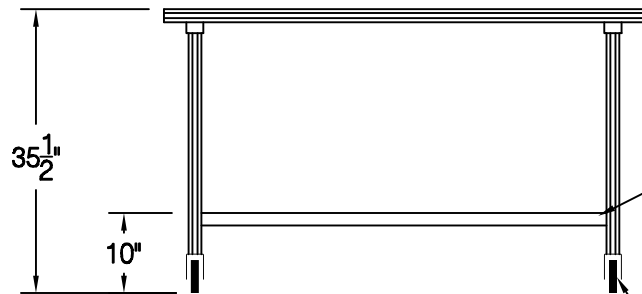


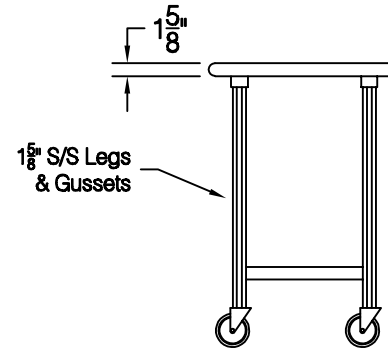
UNIT IS WELDED SETUP

Bull Nose Edge On Front & Rear W/ Squared Sides



Fixed. S/S Undershelf

TA-255
5" Swivel Casters
(Set Of 4, 2 W/ Brakes)



1 5/8" S/S Legs & Gussets

ADVANCE TABCO
325 Wireless Blvd.
Hauppauge, NY 11788
Tel: 800-645-3166
Fax: 631-242-4589
cad@advancetabco.com

Customer:	Order / Quote# 211	Sheet #	Original Drawing Date:	NO.	Revision Date:	By:	Print Approval:	
Job Name:	Model # SS-245 / TA-23 / TA-255	Item #	Material: 14 GA.304 S/S	1			Accessory Locations MUST Be Verified Prior To Unit Being Fabricated	
Purchase Order # :	Drawn By: E.Mencarelli	Scale: 1/2" = 12"	Tolerance: +.500 -.500	2				Approved By _____ Date _____
FACTORY USE ONLY:	WELDING: 1) Date: _____ Inspected By: _____ 2) Date: _____ Inspected By: _____	Final Inspection: 1) Date: _____ Inspected By: _____ 2) Date: _____ Inspected By: _____		3			Approved By _____ Date _____	
				4				
				5				