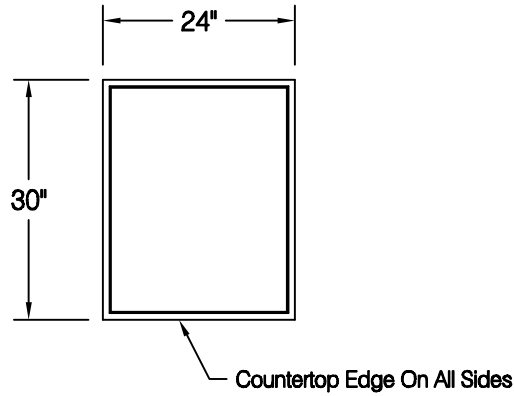
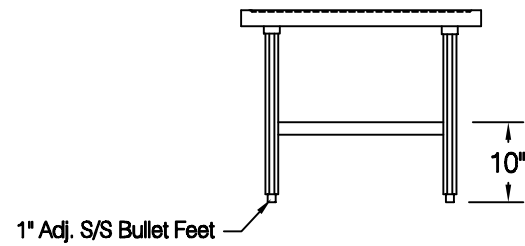
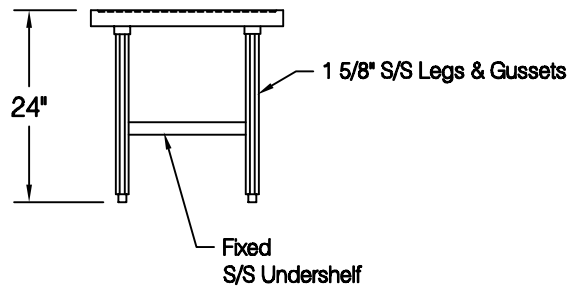


Quantity: 1



UNIT IS WELDED SET UP



**ADVANCE TABCO**  
 325 Wireless Blvd.  
 Hauppauge, NY 11788  
 Tel: 800-645-3166  
 Fax: 631-242-4589  
 cad@advancetabco.com

Customer:	Order / Quote#	Sheet #	Original Drawing Date:	NO.	Revision Date:	By:	Print Approval:
	<b>209</b>			1			Accessory Locations MUST Be Verified Prior To Unit Being Fabricated
Job Name:	Model #	Item #	Material:	2			
	SAG-MT-302 / TA-23		HVY GA. 430 S/S	3			
Purchase Order # :	Drawn By:	Scale:	Tolerance:	4			Approved By _____ Date _____
	E. Mencarelli	1/2" = 12"	+ .500 - .500	5			
FACTORY USE ONLY:	WELDING:	Final Inspection:					
	1) Date: _____ Inspected By: _____ 2) Date: _____ Inspected By: _____	1) Date: _____ Inspected By: _____ 2) Date: _____ Inspected By: _____					

