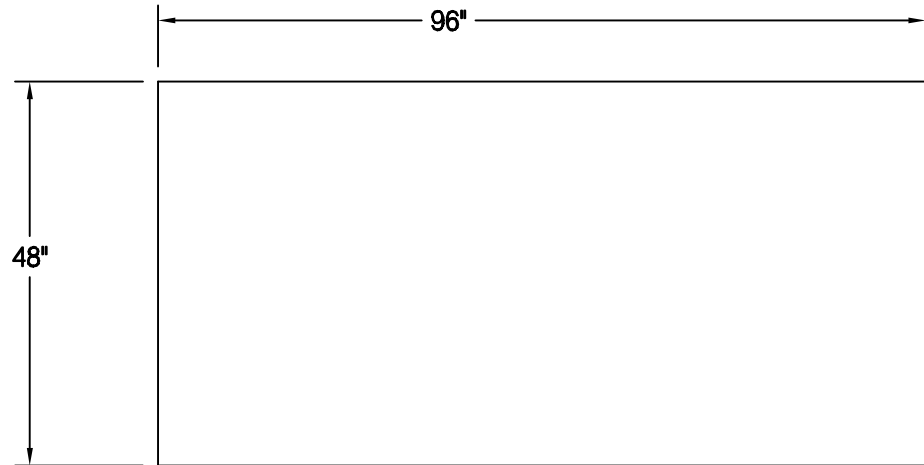
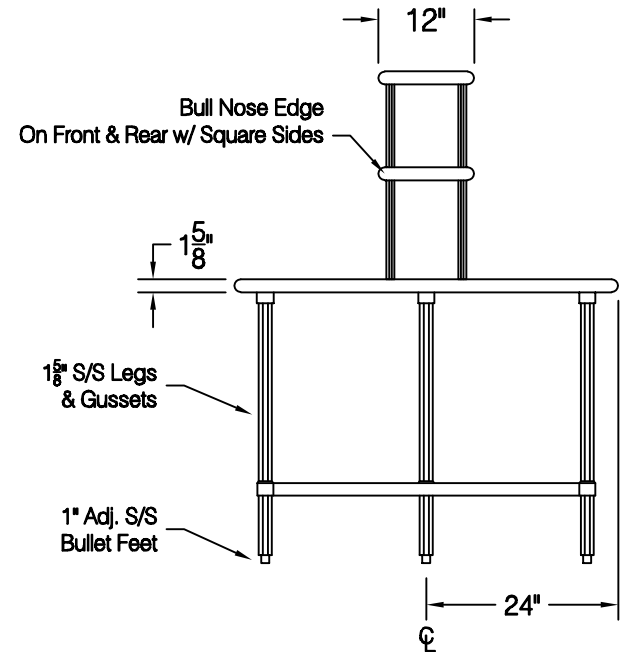
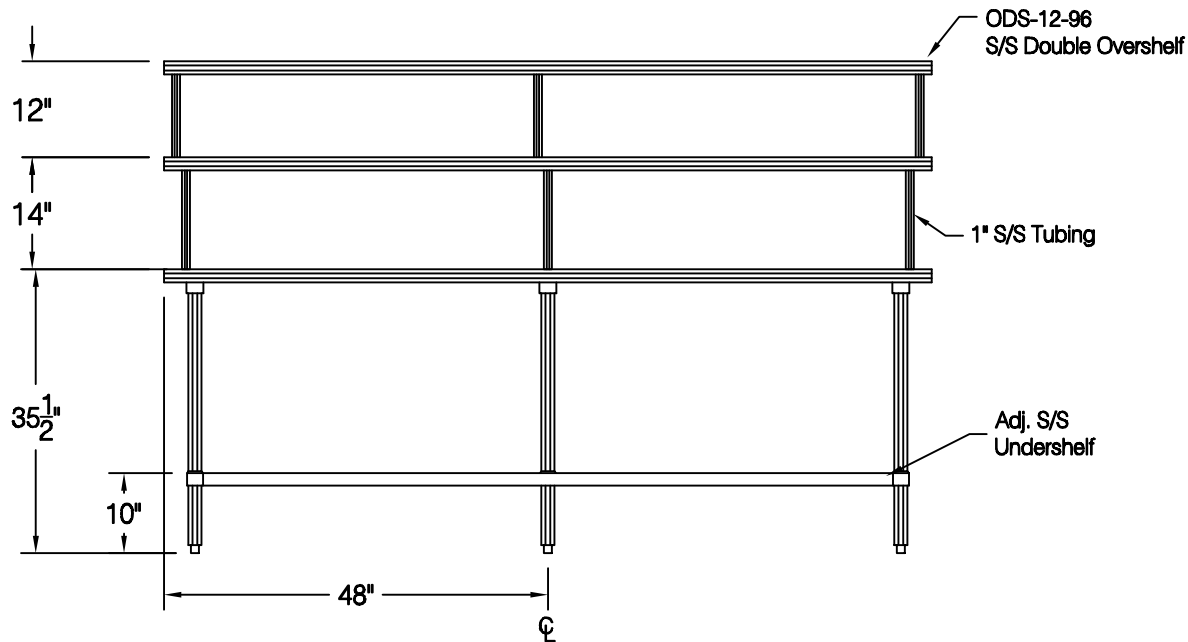


Quantity: 1



Bull Nose Edge On Front & Rear W/ Squared Sides



Customer:	Order / Quote #	Sheet #	Original Drawing Date:	NO.	Revision Date:	By:	Print Approval:
	194			1			Accessory Locations MUST Be Verified Prior To Unit Being Fabricated
Job Name:	Model #	Item #	Material:	2			
	SS-488 / ODS-12-96		14 Ga 304 S/S	3			Approved By _____ Date _____
Purchase Order # :	Drawn By:	Scale:	Tolerance:	4			
	E. Mencarelli	1/2" = 12"	+ .500 - .500	5			
FACTORY USE ONLY:	WELDING:	Final Inspection:		Approved By _____ Date _____			
	1) Date: _____ Inspected By: _____ 2) Date: _____ Inspected By: _____	1) Date: _____ Inspected By: _____ 2) Date: _____ Inspected By: _____					

