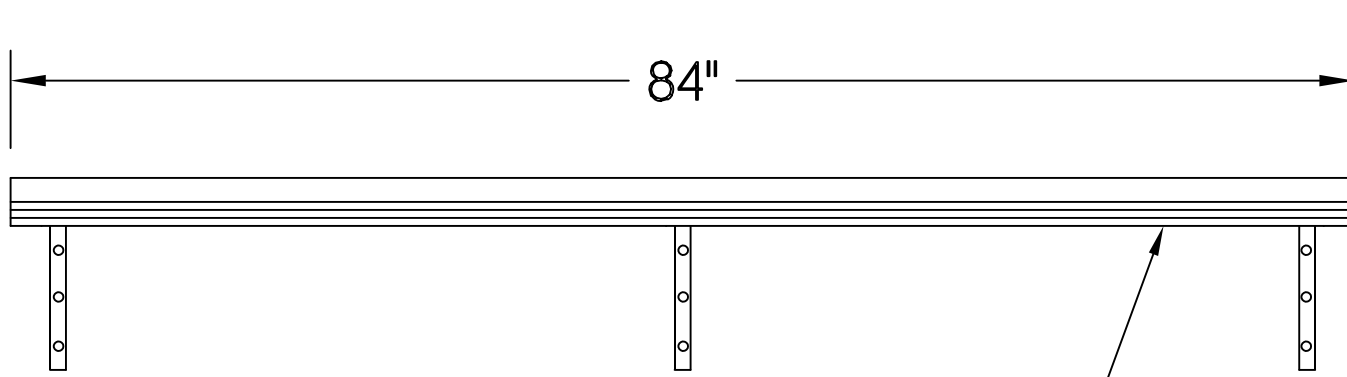
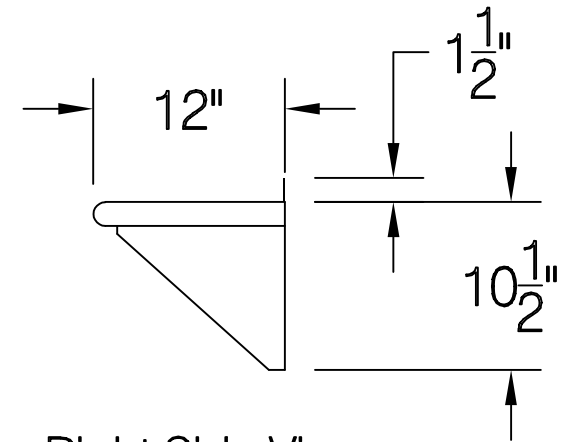


Quantity: 1



Bull Nose Edge  
On Front w/ Square Sides



Right Side View



**ADVANCE TABCO**  
325 Wireless Blvd.  
Hauppauge, NY 11788  
Tel: 800-645-3166  
Fax: 631-242-4589  
cad@advancetabco.com

Customer:	Order / Quote#	Sheet #	Original Drawing Date:	NO.	Revision Date:	By:	Print Approval:	
	173			1			Accessory Locations MUST Be Verified Prior To Unit Being Fabricated	
Job Name:	Model #	Item #	Material:	2				
	WS-12-84 / T-99A		14 GA.304 S/S	3				
Purchase Order # :	Drawn By:	Scale:	Tolerance:	4				
	E.Mencarelli	1"=12"	+ .500 - .500	5				
WELDING:	Final Inspection:						Approved By	Date
FACTORY USE ONLY:	1) Date: _____ Inspected By: _____ 2) Date: _____ Inspected By: _____						Approved By	Date

