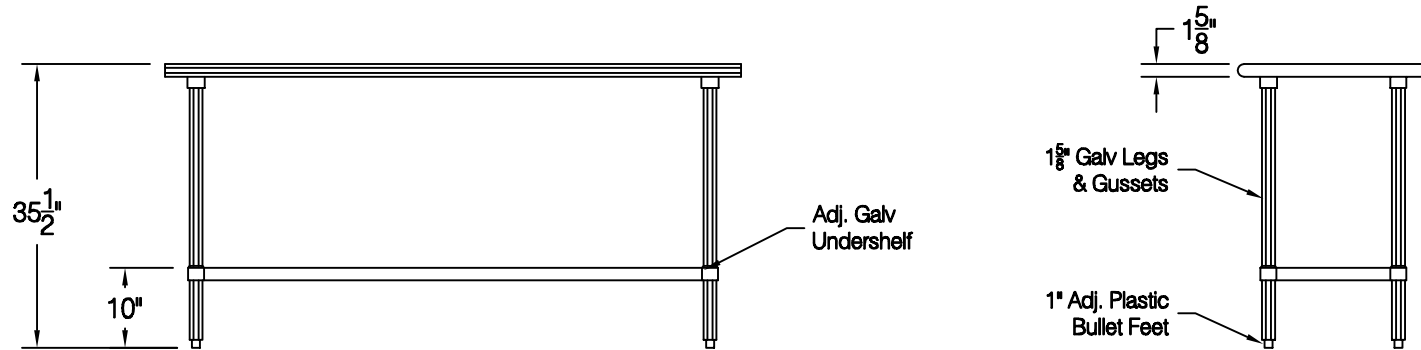
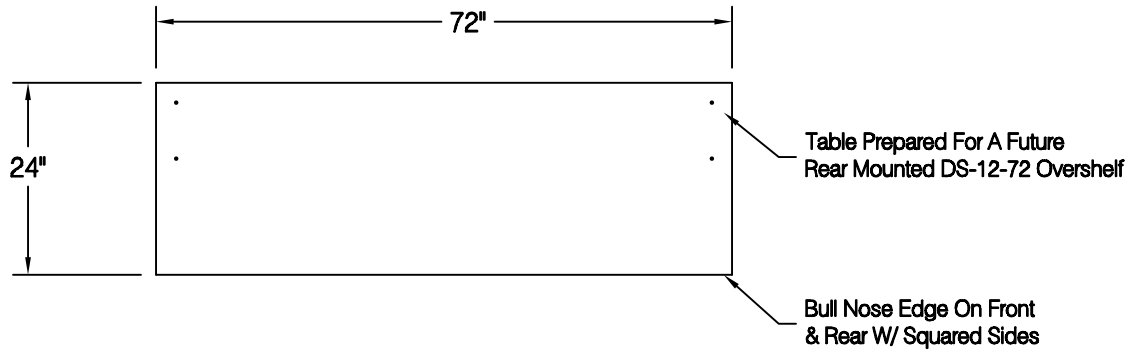


Quantity: 1



**ADVANCE TABCO**  
 325 Wireless Blvd.  
 Hauppauge, NY 11788  
 Tel: 800-645-3166  
 Fax: 631-242-4589  
 cad@advancetabco.com

Customer:	Order / Quote #	158		Sheet #	Original Drawing Date:	NO.	Revision Date:	By:	Print Approval:			
	Job Name:	Model #	Item #	Material:		1				Accessory Locations MUST Be Verified Prior To Unit Being Fabricated		
	Purchase Order # :	MG-246	1	16 GA. 304 S/S		2						
	FACTORY USE ONLY:	WELDING:	Drawn By:	Scale:	Tolerance:	NSF	3					Approved By _____ Date _____
		1) Date: _____ Inspected By: _____	E. Mencarelli	1/2" = 12"	+ .500		4					
2) Date: _____ Inspected By: _____				- .500	5							
	Final Inspection:	1) Date: _____ Inspected By: _____		2) Date: _____ Inspected By: _____		Approved By _____ Date _____						