

FAUCET PARTS - EXPLODED VIEW

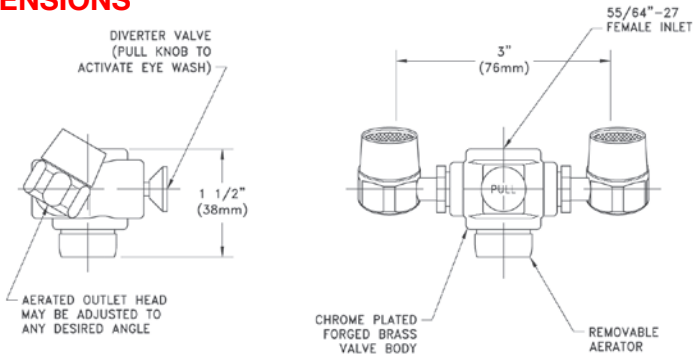
Model: **K-170**

Conforms To NSF 61/9 Lead Free Requirements

ADAPTERS WITH WASHERS



DIMENSIONS



IMPORTANT: Faucet-mounted eyewashes require two motions to operate (turn on water, pull knob to activate eyewash flow). Therefore, **Advance Tabco does not believe that these units meet the provisions of ANSI Z358.1-2004 as eyewash units.** These units are intended solely as supplemental units in addition to dedicated, plumbed eyewash equipment installed in the workplace.

Faucet-mounted eyewashes should be used with cold or warm water only. Use of hot water might cause scalding.

Eyewash Faucets not to be used with Foot Operated or Knee Operated Units or Electronic Faucets.

WARNING: Faucets on this page may expose you to chemicals, including lead, that are known to the State of California to cause cancer or birth defects or other reproductive harm. For more Info, visit www.p65warnings.ca.gov.